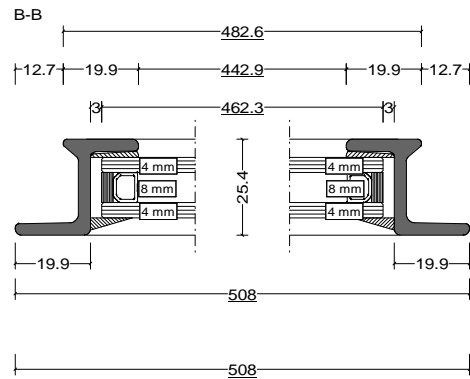
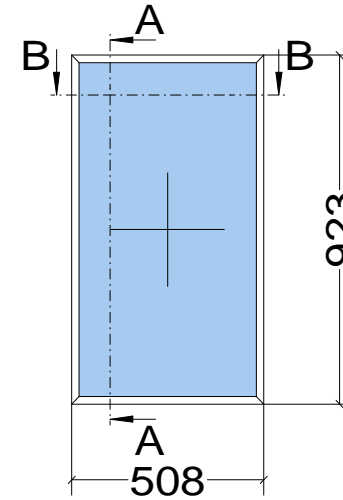
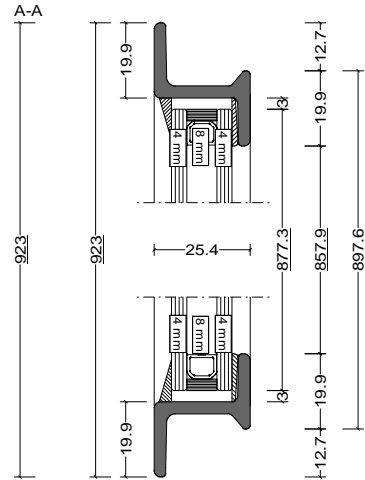


Pos. SMW - Heritage - Fixed Light, Quantity: 1
 Finish: RAL
 Job: SMW Sample Drawing

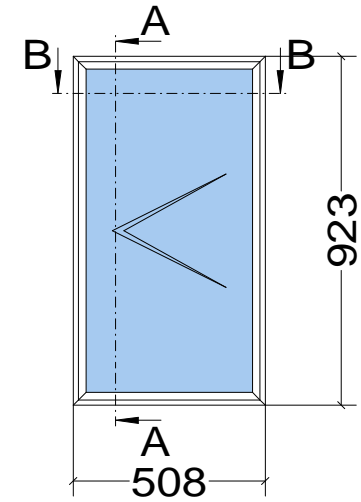
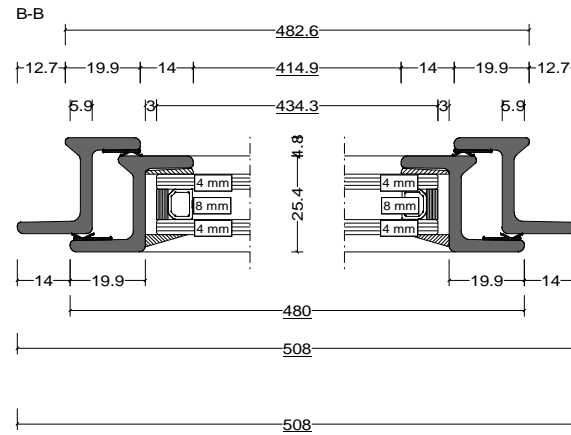
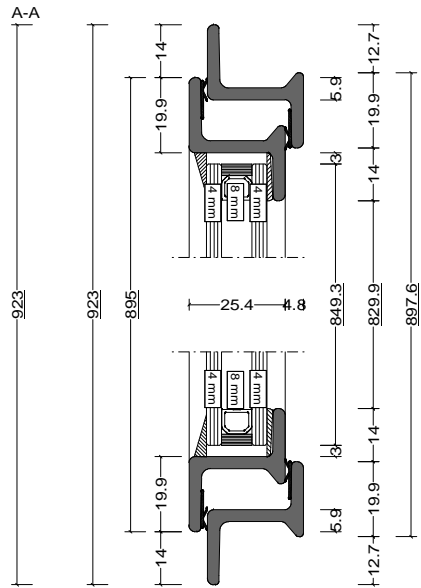


	Date	Name	SMW Sample Drawing	Fabco Sanctuary Ltd Unit 1, Hobbs New Barn Climping, West Sussex Littlehampton, BN17 5TF BN17 5RE Tel: 01903 718808
Drawn	12.11.2020			
Checked				
Normchkd.				
Scale	1 : 2			Drawing No.:
View	SMW - Fixed Light			
	1 : 20			

Pos. SMW - Heritage - Side Hung Casement, Quantity: 1
 Finish: RAL
 Job: SMW Sample Drawing



FABCO



	Date	Name	SMW Sample Drawing	Fabco Sanctuary Ltd Unit 1, Hobbs New Barn Climping, West Sussex Littlehampton, BN17 5TF BN17 5RE Tel: 01903 718808
Drawn	12.11.2020			
Checked				
Normchkd.				
Scale	1 : 2		SIDE HUNG WINDOW (SMW) EQUAL LEGS WINDOW SECTION	Drawing No.:
View	1 : 20			

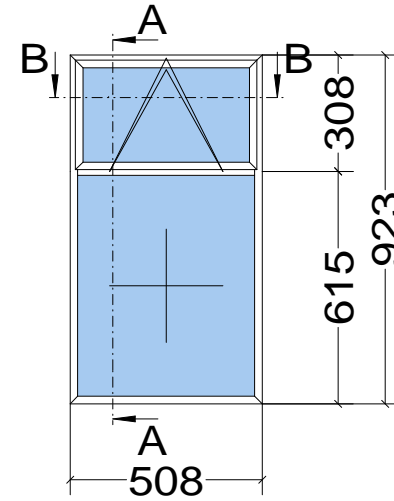
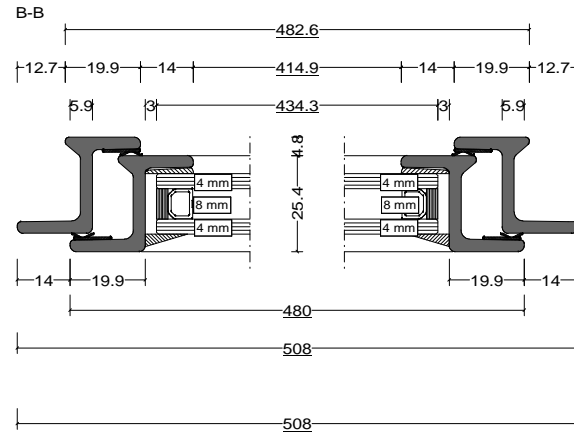
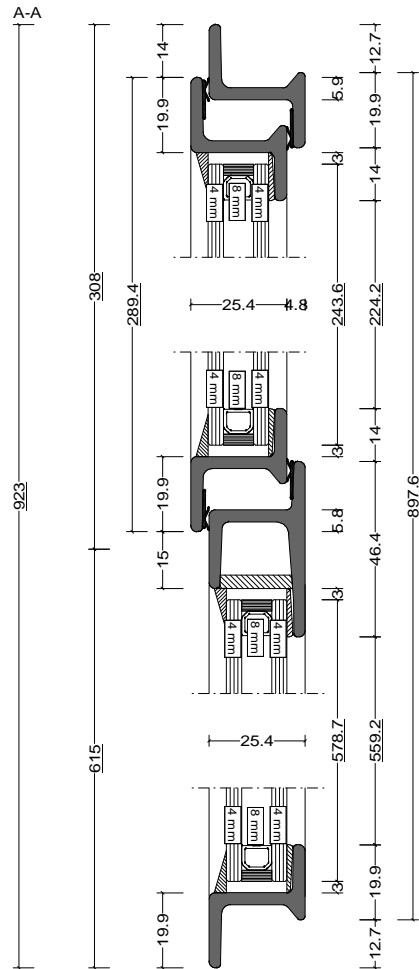
Pos. SMW - Heritage - Top Hung Casement , Quantity: 1

Finish: RAL

Job: SMW Sample Drawing



FABCO

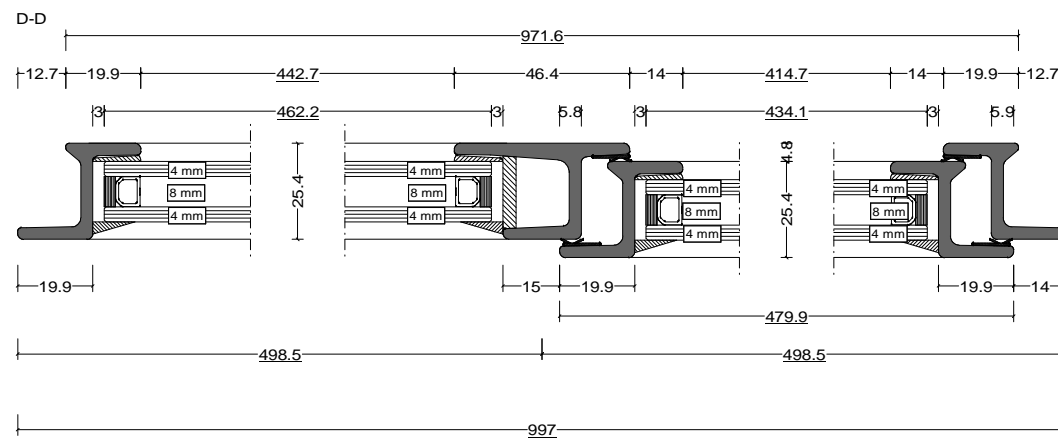
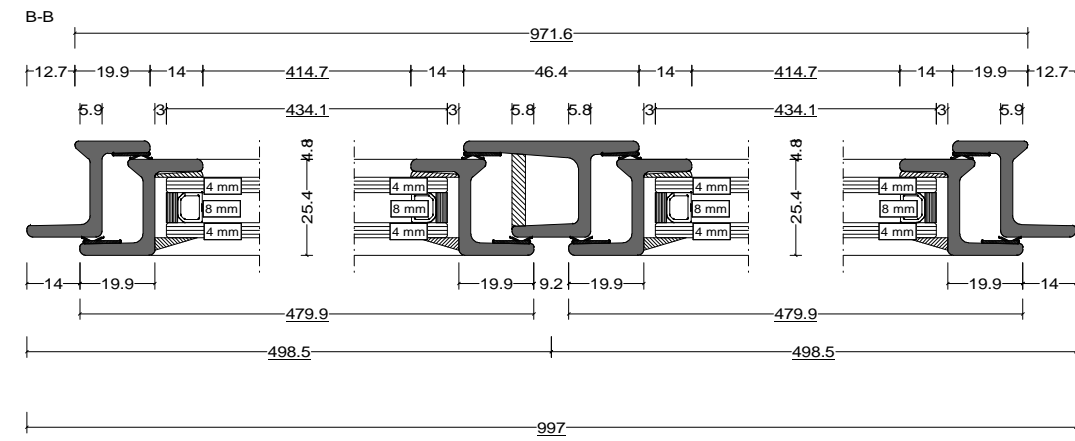
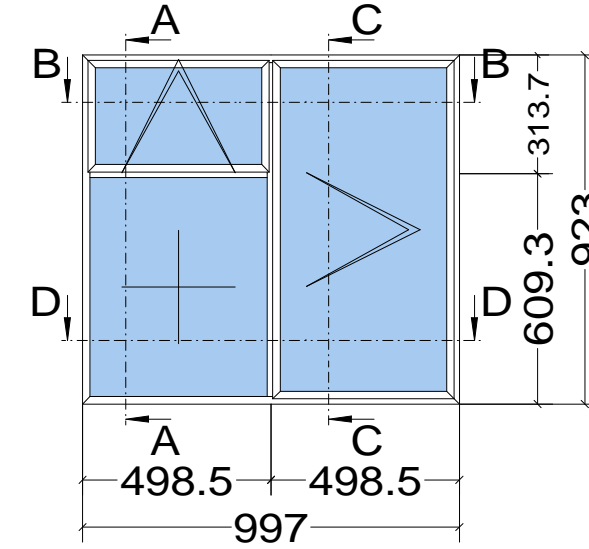
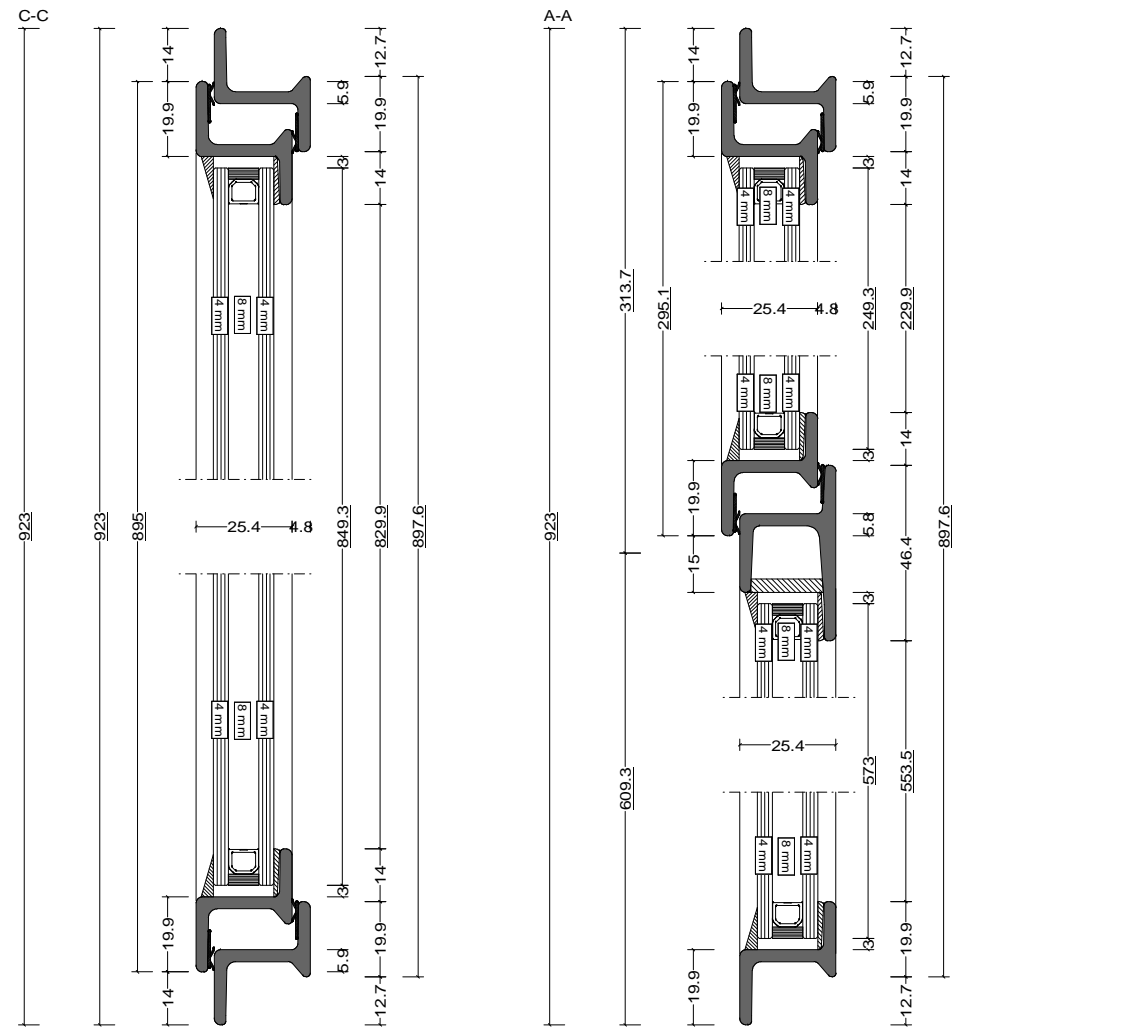


	Date	Name	SMW Sample Drawing	Fabco Sanctuary Ltd Unit 1, Hobbs New Barn Climping , West Sussex Littlehampton, BN17 5TF BN17 5RE Tel: 01903 718808
Drawn	12.11.2020			
Checked				
Normchkd.				
Scale	TOP HUNG WINDOW (SMW)			Drawing No.:
1 : 2	EQUAL LEGS			
View	WINDOW SECTION			
1 : 20				

Pos. SMW - Heritage - Multi-Light T1, Quantity: 1
 Finish: RAL
 Job: SMW Multi-Light

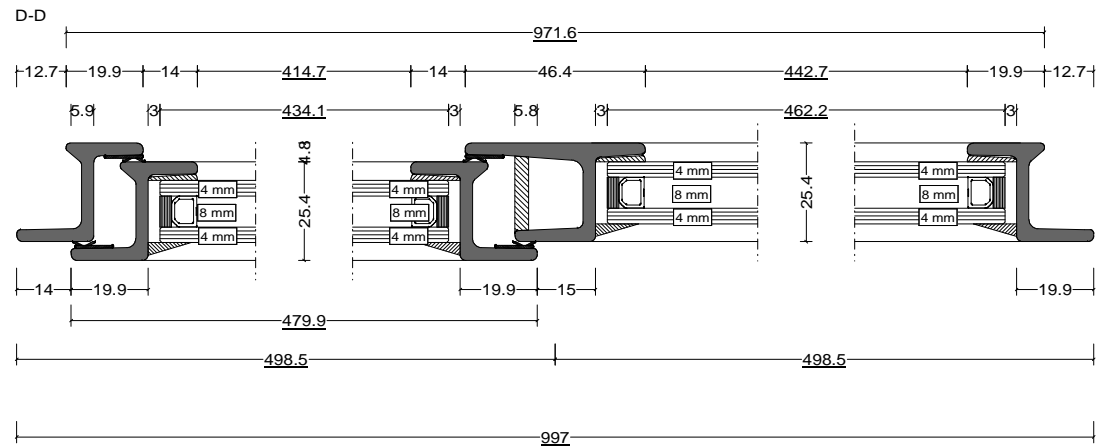
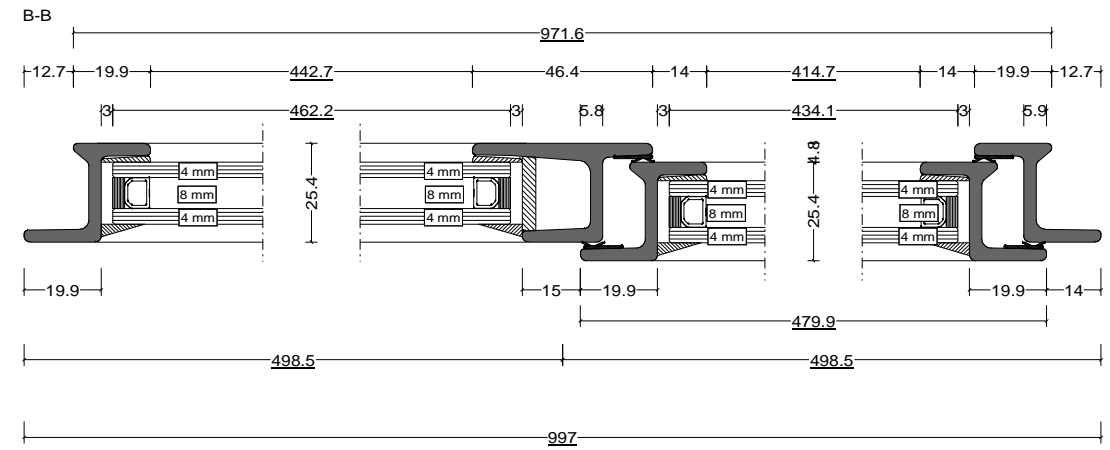
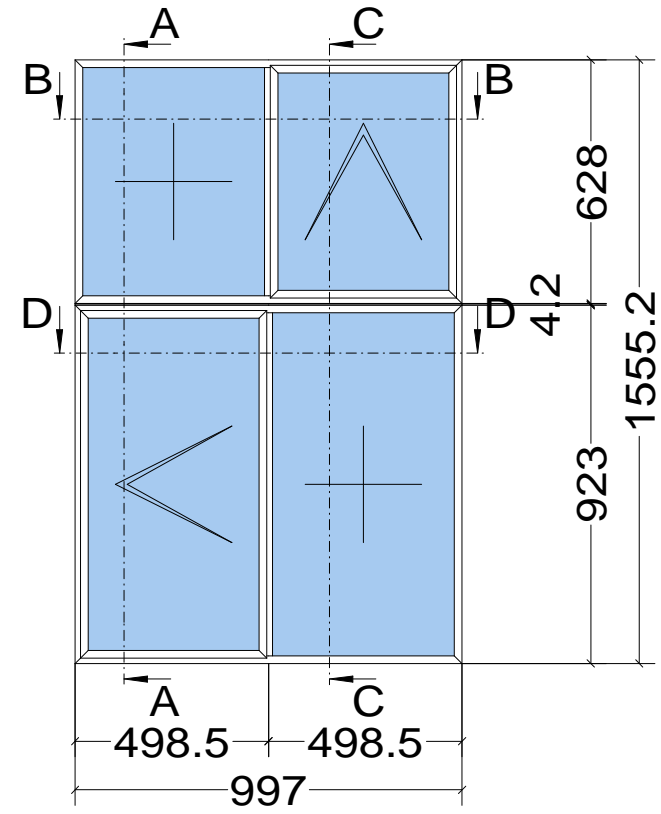


FABCO



Date	Name	SMW Multi-Light	Fabco Sanctuary Ltd Unit 1, Hobbs New Barn Climping, West Sussex Littlehampton, BN17 5TF BN17 5RE Tel: 01903 718808	
Drawn	12.11.2020			Drawing No.:
Checked				
Normchkd.				
Scale	1 : 2	MULTILIGHT WINDOW (SMW) EQUAL LEGS WINDOW SECTION		
View	1 : 20			

Pos. SMW - Heritage - Multi-Light T2, Quantity: 1
 Finish: RAL
 Job: SMW Multi-Light



Date	Name	SMW Multi-Light	Fabco Sanctuary Ltd Unit 1, Hobbs New Barn Climping, West Sussex Littlehampton, BN17 5TF BN17 5RE Tel: 01903 718808
12.11.2020			
Drawn			
Checked			
Normchkd.			
Scale	MULTILIGHT WINDOW (SMW)		Drawing No.:
1 : 1.9	EQUAL LEGS		
View	WINDOW SECTION		
1 : 19.5			