

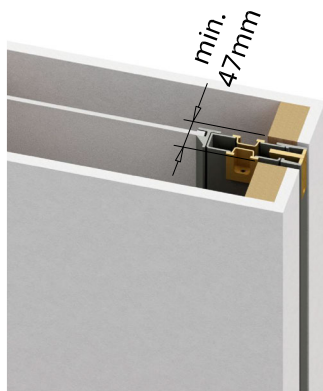
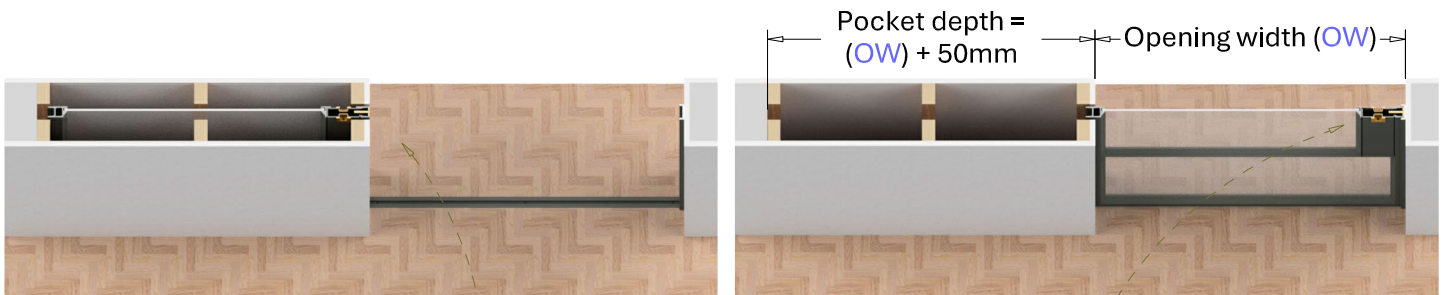


Door in **open** position



Door in **closed** position

Horizontal Cross Section



min. 47mm pocket width



Pocket depth = (Opening width) + 50mm
e.g. (900) + 50 = 950mm pocket depth

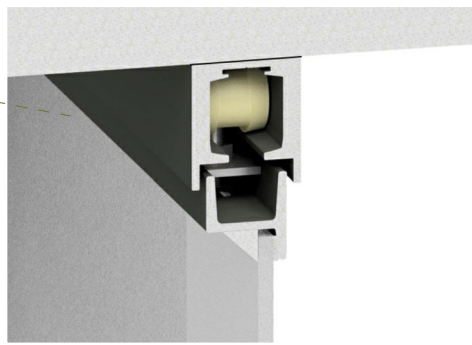
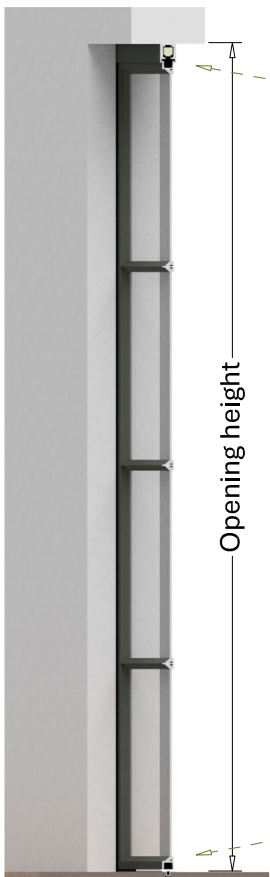
Go to:

- **Vertical Cross Sections & Additional Information** (page 2)
- **Wall Preparation** (page 3)

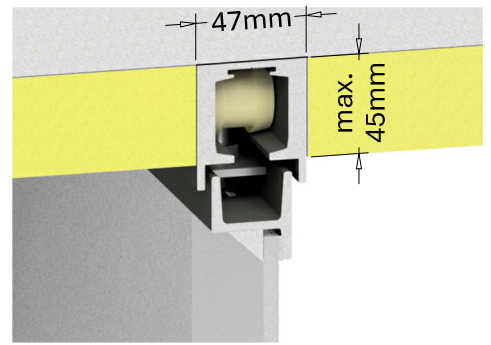
Single Sliding Pocket Door

Cross Sections

Vertical Cross Section

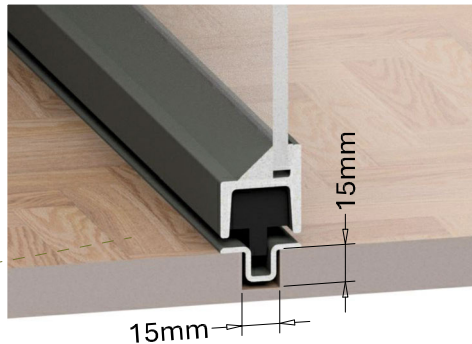


Visible track



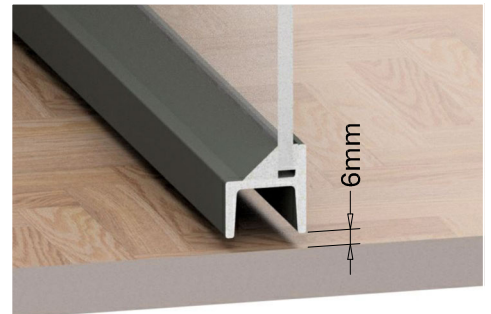
Buried track

The track can be covered with e.g. plasterboard to max. 45mm after installation



Floor track

15 x 15mm channel required (by site before installation)



No floor track

Floor track (opening width):

Over 725mmW: Recommended
Over 975mmW: Mandatory

Soft closing mechanism (opening width):

500mmW - 729mmW: Soft close only
730mmW - 2170mmW: Soft close & open

Fixings:

Bottom fixings:

For floor track on full width (min. 35mm fixing depth)
If no floor track, floor guide is fitted on the edge of the pocket opening (min. 35mm fixing depth)

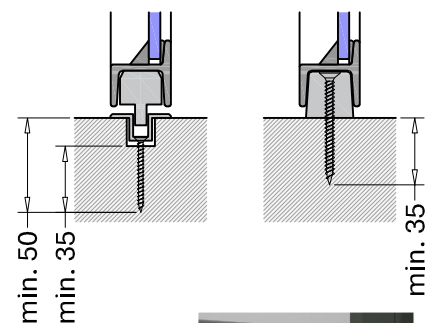
Head fixings:

Solid fixings are required at the head as the weight of the frame & glass hang on the track.

Handles:

All sliding doors have **2713A Flush pull handle**
These are available in either a matching RAL powder coating, or a Frank Allart finish.

Single pocket door has also **4377 Edge pull handle**
This is available only in a Frank Allart finish.



Recommended Option - 1 piece track:

The track has no visible join, up to a max. length of 3980mm⁽¹⁾ i.e. track is supplied and installed in one piece.

⁽¹⁾ For tracks longer than 3980mm, track must be supplied in 2 pieces.

Requirements:

- To get the track into position in the pocket, one wall must be fully exposed in one room e.g. wall finished in dining room, but no studwork or plaster installed in lounge side to provide complete access for installation.



Alternative Option - 2 piece track (for opening wider than 1100mm):

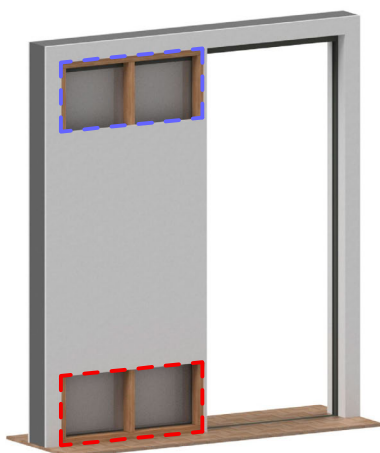
Track with join in the pocket, i.e. track is supplied and installed in two pieces

Requirements:

- Site to leave access holes in the plaster board to provide full access to the top track for install & adjustment.
- For openings over 725mm, a floor track is recommended. For openings over 975mm, the floor track is mandatory. Where the floor track is used, access holes will also be required at the bottom of the wall.
- Access holes must be the full width of the pocket and a min, 400mm in height

To avoid a join in the track, and so that you can progress with building your pocket, Fabco can supply the track(s) in advance for installation by your site team, prior to the Fabco installation visit.

We will still need access panels so that the installation team can adjust the door once installed.



Top track
access panels

Floor track
access panels

