

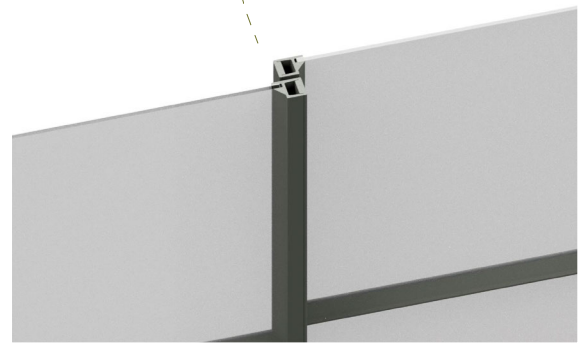


Door in **open** position



Door in **closed** position

Horizontal Cross Section



One door will open flush with the screen
Another door will protrude 19mm
due to the round post

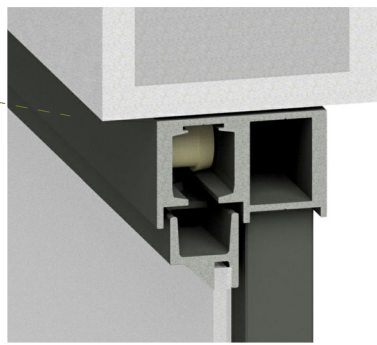
Go to:

- **Vertical Cross Sections & Additional Information** (page 2)

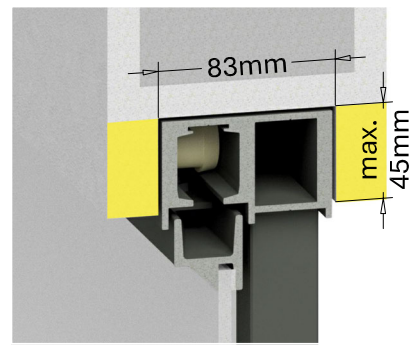
Double Sliding Door with Side Screens

Cross Sections

Vertical Cross Section

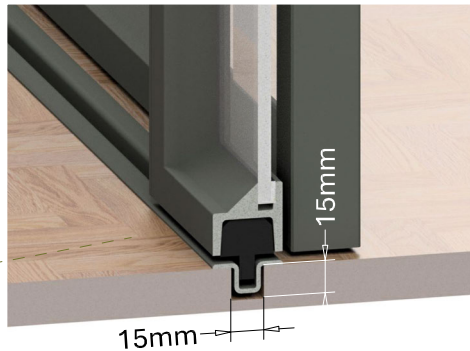


Visible track



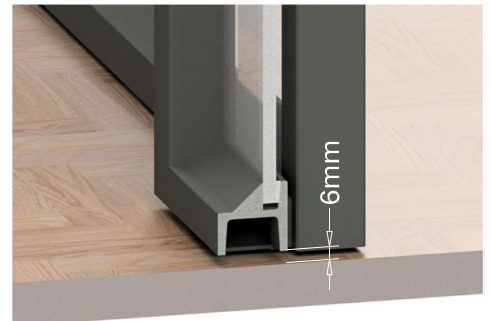
Buried track

The track can be covered with e.g. plasterboard to max. 45mm after installation



Floor track

15 x 15mm channel required (by site before installation)



No floor track

Floor track (opening width):

Over 2950mmW: Recommended
Over 3950mmW: Mandatory

Soft closing mechanism (opening width):

2050mmW - 2979mmW: Soft close only
2980mmW - 8720mmW: Soft close & open

Fixings:

Bottom fixings:

For floor track on full width (min. 35mm fixing depth)
If no floor track, only under the screens (min. 35mm fixing depth)

Head fixings:

Solid fixings are required at the head as the weight of the frame & glass hang on the track.

Side fixings:

Solid fixings are required on both sides.

Handles:

All sliding doors have **2713A Flush pull handle**

These are available in either a matching RAL powder coating, or a Frank Allart finish.

