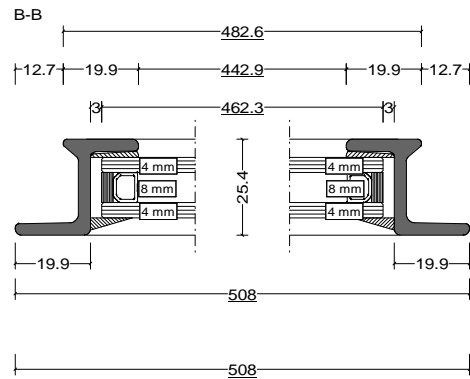
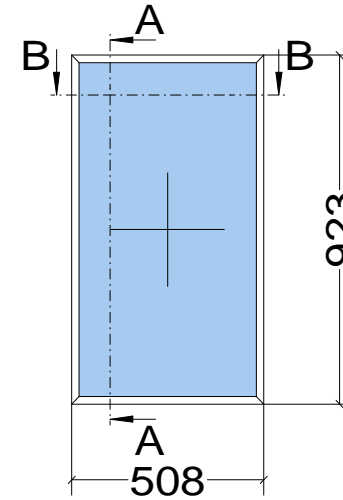
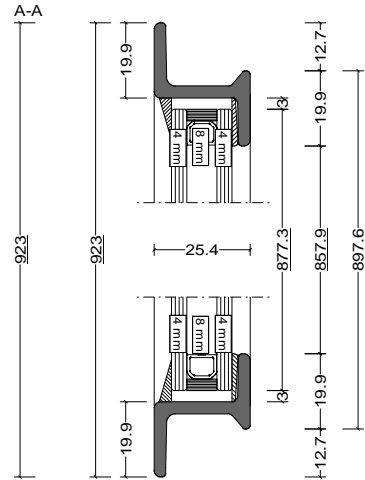


Pos. SMW - Heritage - Fixed Light, Quantity: 1
 Finish: RAL
 Job: SMW Sample Drawing

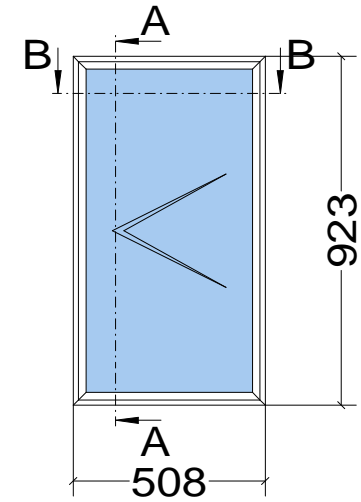
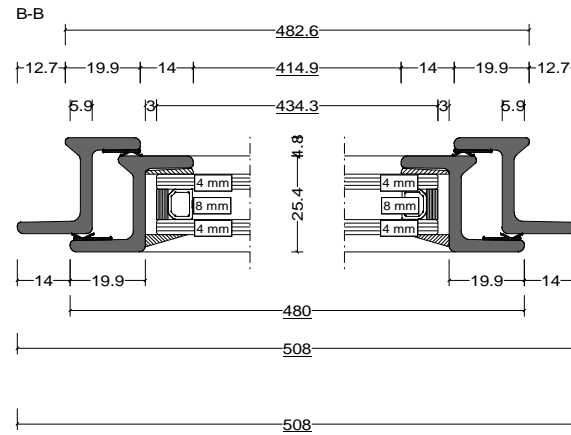
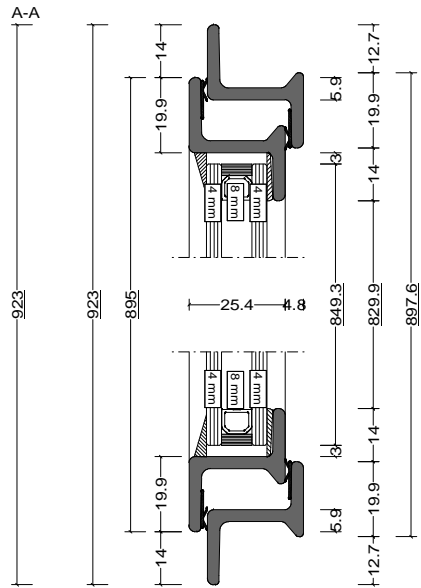


	Date	Name	SMW Sample Drawing	Fabco Sanctuary Ltd Unit 1, Hobbs New Barn Climping, West Sussex Littlehampton, BN17 5TF BN17 5RE Tel: 01903 718808
Drawn	12.11.2020			
Checked				
Normchkd.				
Scale	1 : 2			Drawing No.:
View	SMW - Fixed Light			
	1 : 20			

Pos. SMW - Heritage - Side Hung Casement, Quantity: 1
 Finish: RAL
 Job: SMW Sample Drawing



FABCO



	Date	Name	SMW Sample Drawing	Fabco Sanctuary Ltd Unit 1, Hobbs New Barn Climping, West Sussex Littlehampton, BN17 5TF BN17 5RE Tel: 01903 718808
Drawn	12.11.2020			
Checked				
Normchkd.				
Scale	SIDE HUNG WINDOW (SMW)		Drawing No.:	
1 : 2	EQUAL LEGS			
View	WINDOW SECTION			
1 : 20				

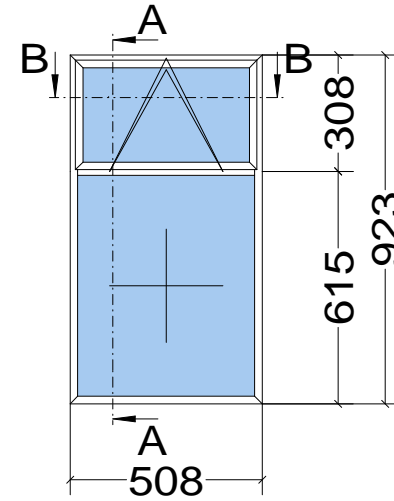
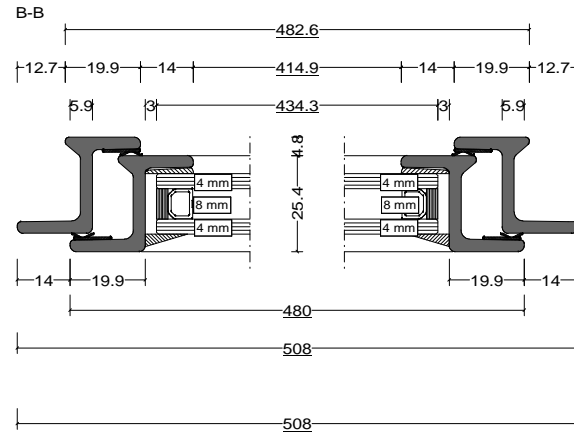
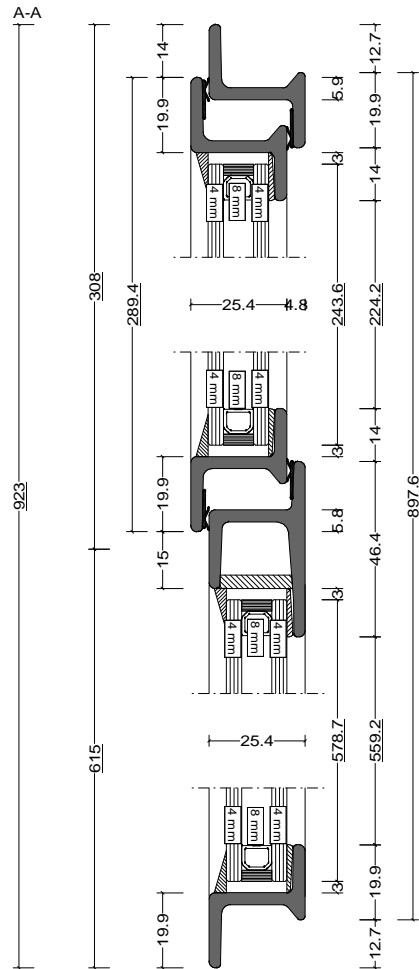
Pos. SMW - Heritage - Top Hung Casement , Quantity: 1

Finish: RAL

Job: SMW Sample Drawing

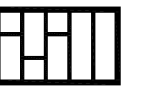


FABCO

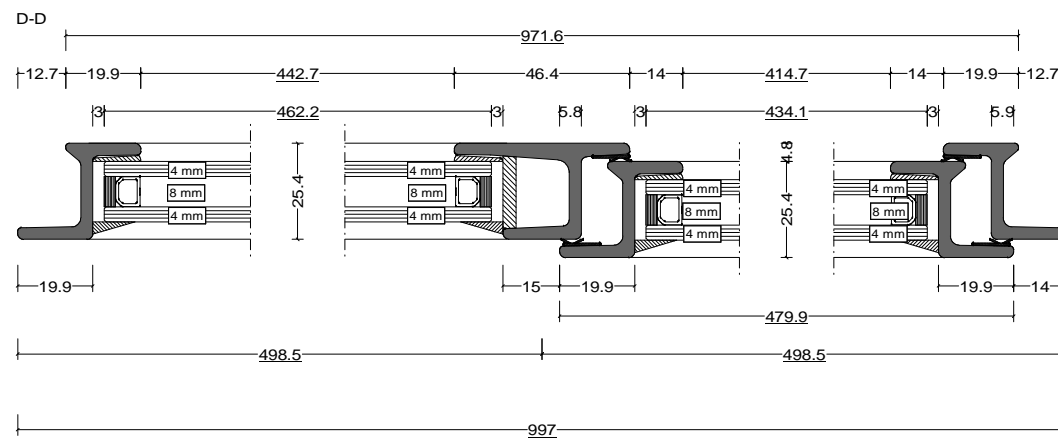
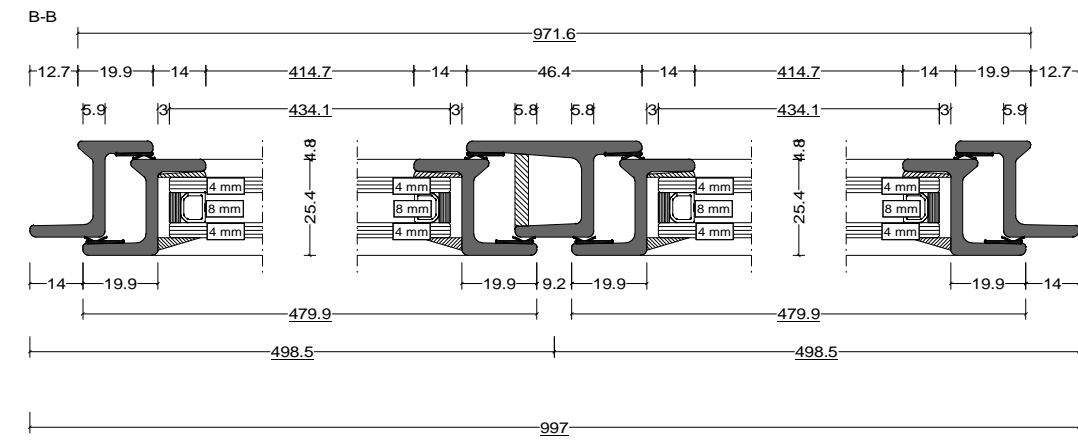
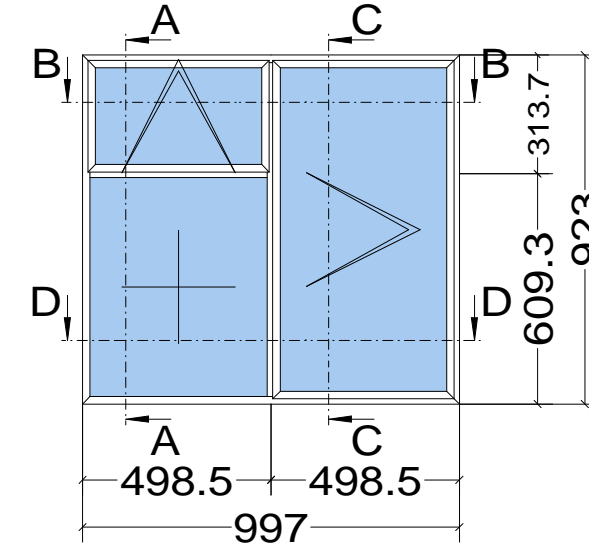
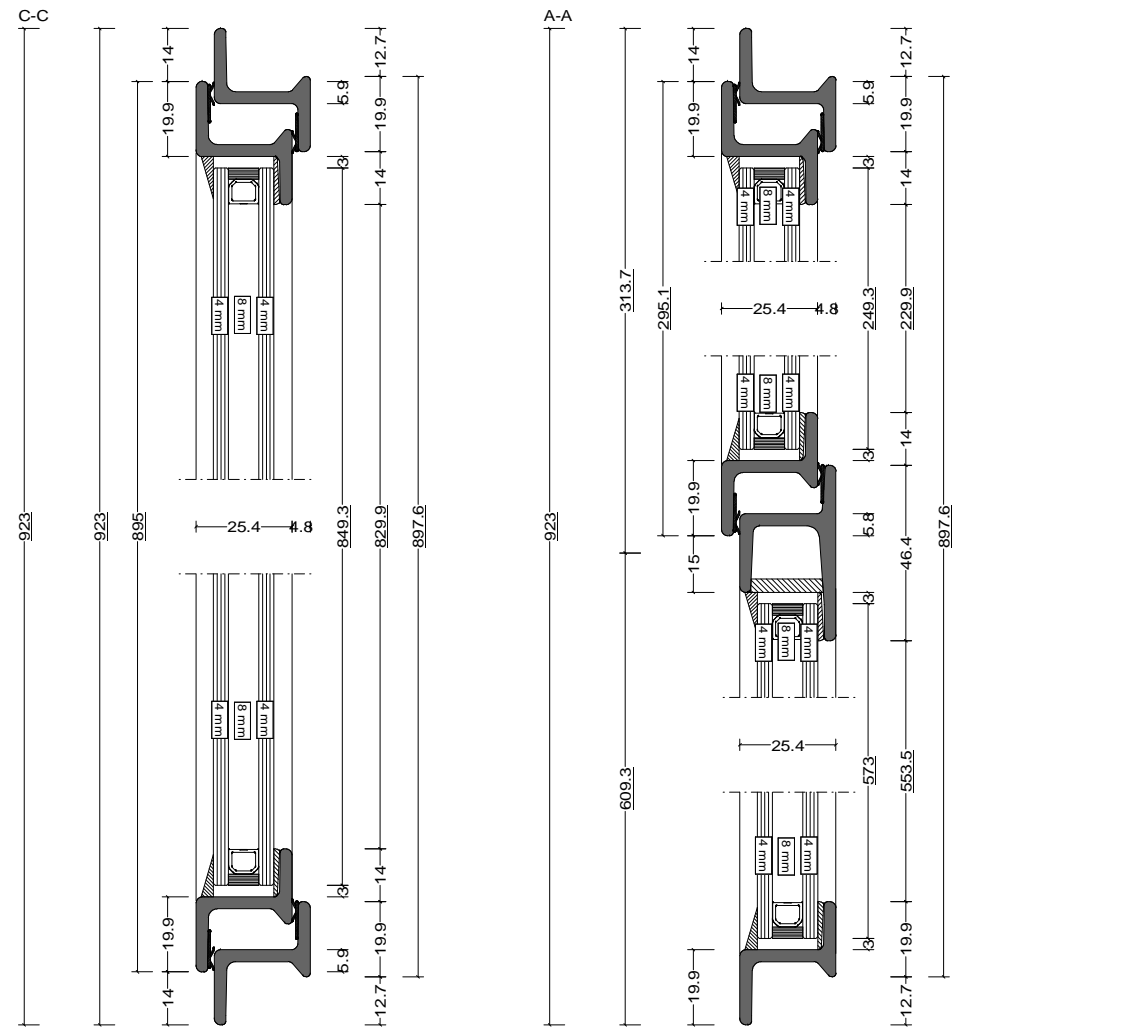


	Date	Name	SMW Sample Drawing	Fabco Sanctuary Ltd Unit 1, Hobbs New Barn Climping , West Sussex Littlehampton, BN17 5TF BN17 5RE Tel: 01903 718808
Drawn	12.11.2020			
Checked				
Normchkd.				
Scale	TOP HUNG WINDOW (SMW)		Drawing No.:	
1 : 2	EQUAL LEGS			
View	WINDOW SECTION			
1 : 20				

Pos. SMW - Heritage - Multi-Light T1, Quantity: 1
 Finish: RAL
 Job: SMW Multi-Light

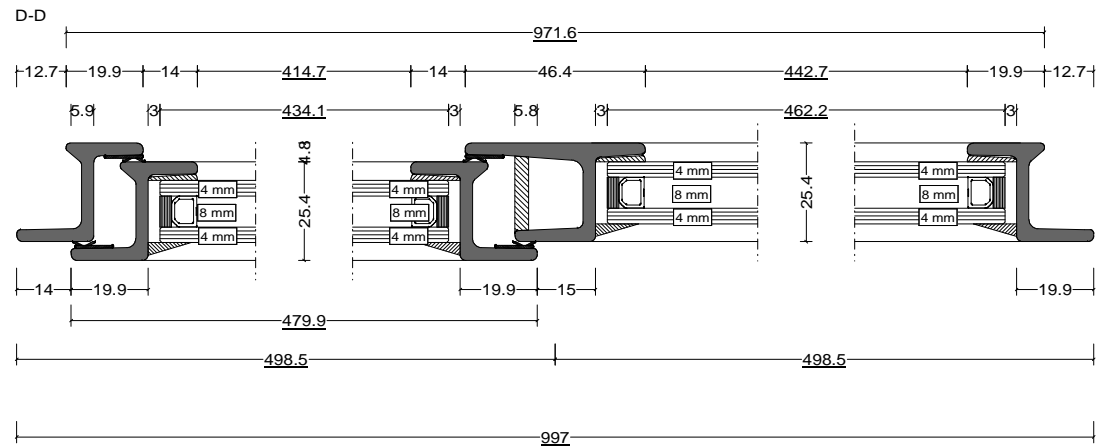
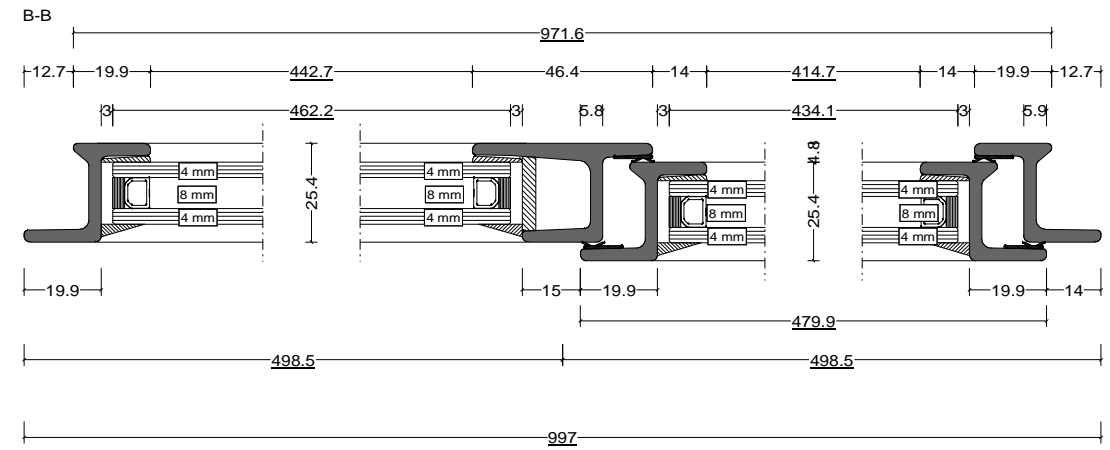
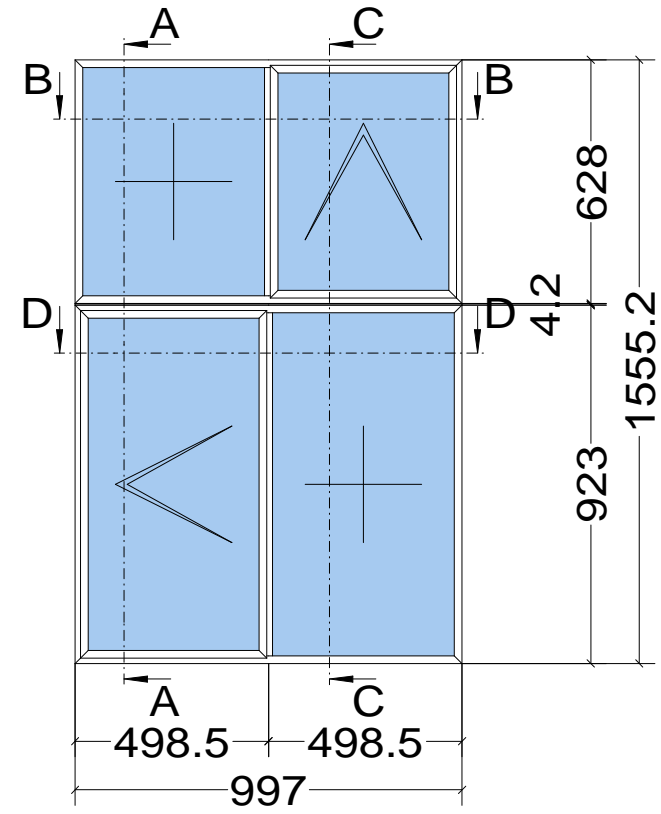


FABCO

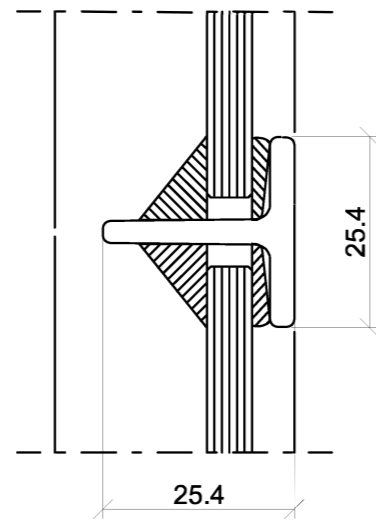


	Date	Name	SMW Multi-Light	Fabco Sanctuary Ltd Unit 1, Hobbs New Barn Climping, West Sussex Littlehampton, BN17 5TF BN17 5RE Tel: 01903 718808		
Drawn	12.11.2020					
Checked						
Normchkd.						
Scale	MULTILIGHT WINDOW (SMW)			Drawing No.:		
View	EQUAL LEGS					
	WINDOW SECTION					

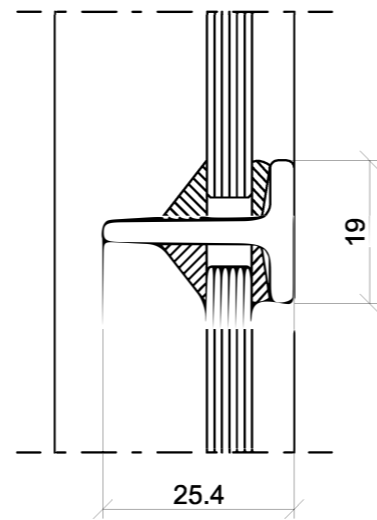
Pos. SMW - Heritage - Multi-Light T2, Quantity: 1
 Finish: RAL
 Job: SMW Multi-Light



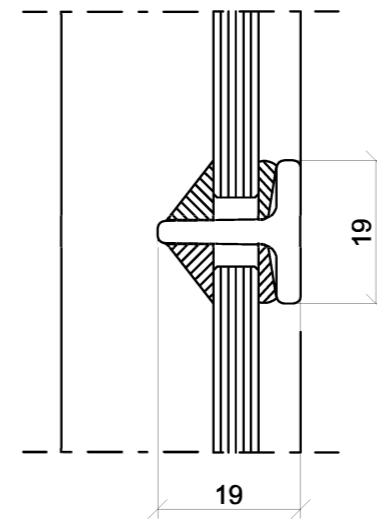
	Date	Name		Fabco Sanctuary Ltd
Drawn	12.11.2020		SMW Multi-Light	Unit 1, Hobbs New Barn Climping, West Sussex Littlehampton, BN17 5TF BN17 5RE Tel: 01903 718808
Checked				Drawing No.:
Normchkd.				
Scale	1 : 1.9	MULTILIGHT WINDOW (SMW) EQUAL LEGS WINDOW SECTION		
View	1 : 19.5			



25.4mm X 25.4mm TEE BAR
SINGLE & DOUBLE GLAZING



19mm X 25.4mm TEE BAR
SINGLE & SLIM DOUBLE GLAZING



19mm X 19mm TEE BAR
SINGLE & SLIM DOUBLE GLAZING

Fabco Sanctuary

Unit 1 Hobbs New Barn
Climping, Littlehampton
West Sussex, BN17 5RE

Tel: 01903 718808 Fax: 01903 718903
Email: enquiries@fabcosanctuary.com

SPECIFICATION:

PROJECT NAME :

XXXX

DATE: 23 FEBRUARY 2016

DRAWN:

PROJECT No :

XXXX

PAGE SIZE: A3

SCALE: 1:1

TITLE :

TEE BAR OPTIONS

DRAWING No:

XXXX-1

REVISION: