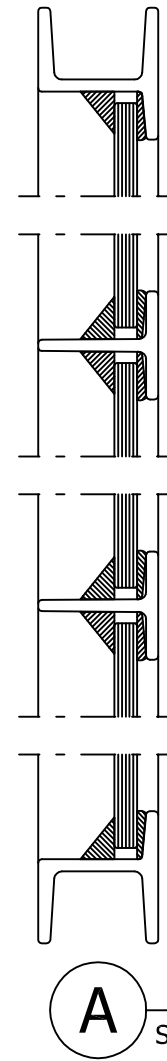
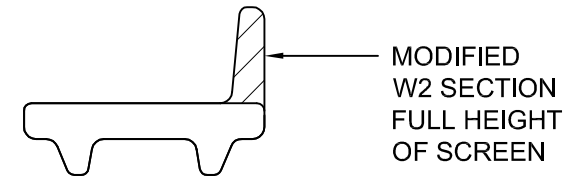
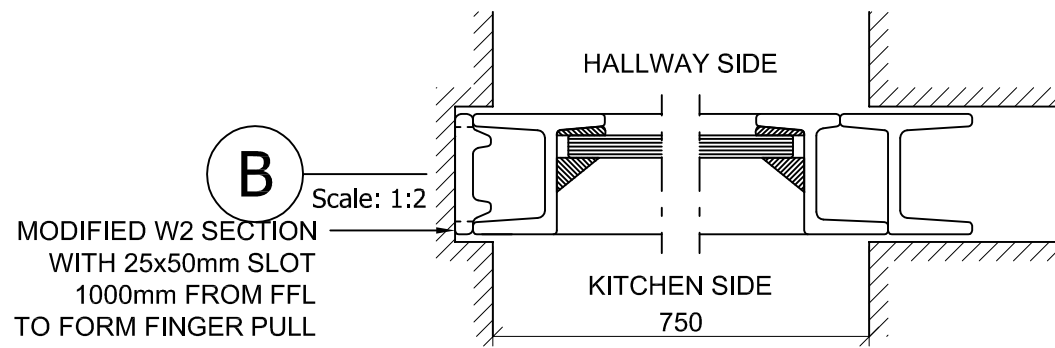
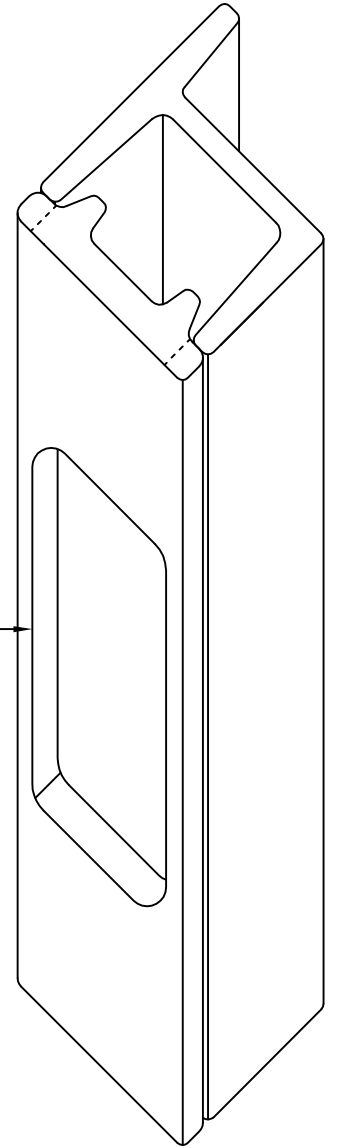


PREPARE LOCK BOX FOR FLUSH PULL HANDLE BOTH SIDES PRIOR TO PAINT.

1No. REQUIRED.  
KITCHEN - GROUND FLOOR - INTERNAL.  
VIEWED FROM KITCHEN.  
SUPPLY ONLY - EC1 CONSTRUCTION TO INSTALL ON SLIDING TRACK SYSTEM.



MODIFIED W2 SECTION WITH 25x50mm SLOT 1000mm FROM FFL TO FORM FINGER PULL



# Fabco Sanctuary

Unit 1 Hobbs New Barn  
Climping, Littlehampton  
West Sussex, BN17 5RE

Tel: 01903 718808 Fax: 01903 718903  
Email: enquiries@fabcosanctuary.com

SPECIFICATION:  
FIXED PANEL FOR SLIDING DOOR.  
RAL 9005 JET BLACK.  
2No. HAFELE 902.01.250 50mm DIAMETER FLUSH PULL HANDLES - STAINLESS STEEL.

PROJECT NAME :	DATE: 14 SEPTEMBER 2015
PROJECT No :	DRAWN: DAN FLANNAGHAN
TITLE : <b>INTERNAL SLIDING DOOR</b>	PAGE SIZE: A3
REVISION:	SCALE: 1:2 & 1:20
	DRAWING No: 1