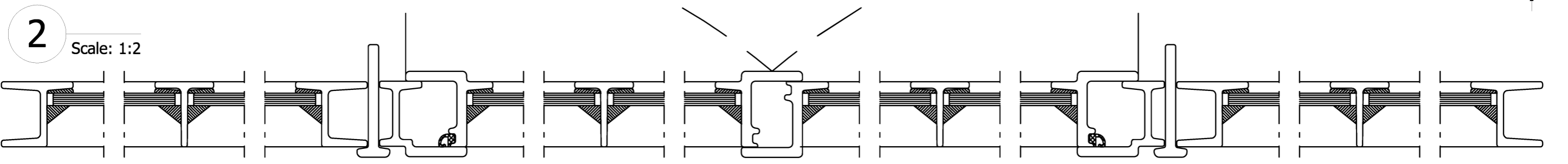
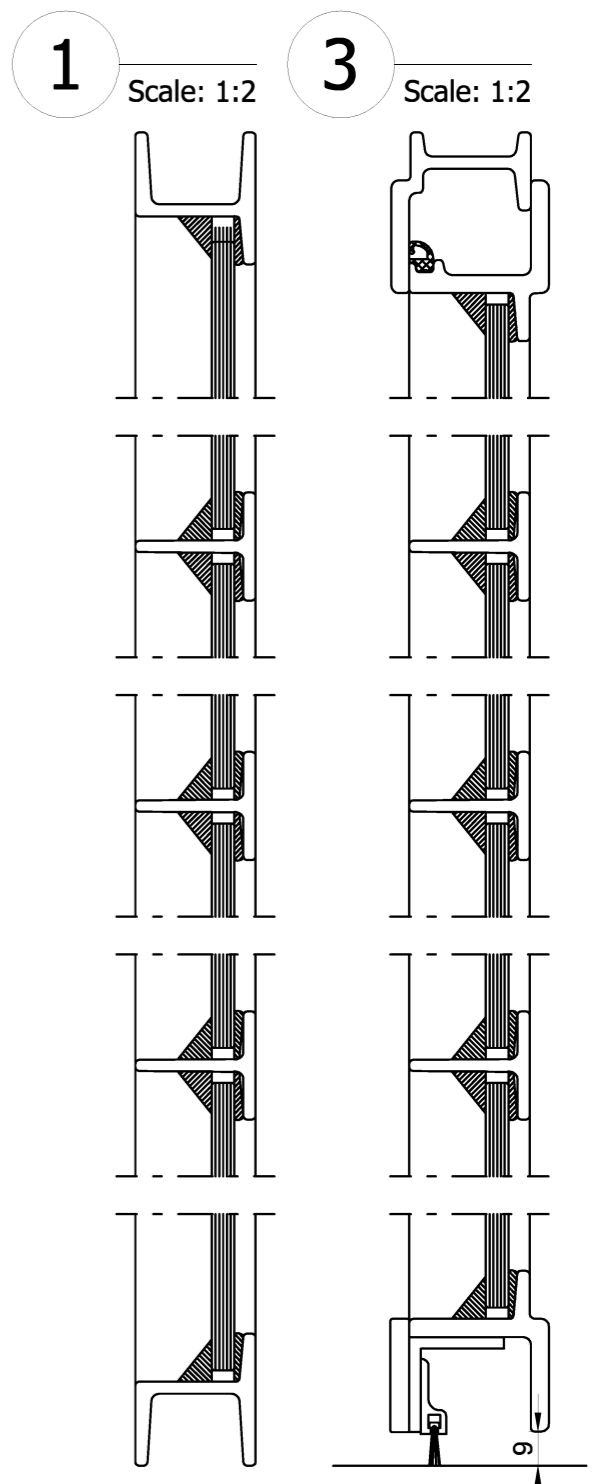


OPEN IN  
NO THRESHOLD  
1 No. REQUIRED



# Fabco Sanctuary

Unit 1 Hobbs New Barn  
Climping, Littlehampton  
West Sussex, BN17 5RE

Tel: 01903 718808 Fax: 01903 718903  
Email: enquiries@fabcosanctuary.com

SPECIFICATION:  
RAL 9005 - JET BLACK  
6mm CLEAR SINGLE GLAZED TOUGHENED UNITS TO BE GLAZED EXTERNALLY IN SILICONE  
1 SET. 5525 ALLART 55 SERIES SPRUNG LEVER HANDLES ON STANDARD BACK PLATE FOR EURO CYLINDER  
STANDARD EURO LOCK WITH KEYHOLE, KEY OPERATED OUTSIDE, THUMB TURN INSIDE  
STANDARD BUTT HINGES  
SUPPLY & INSTALL

PROJECT NAME :	
PROJECT No :	7622
TITLE :	External Door & Screen
REVISION: A	28 / 01 / 2016

DATE:	18/01/2016
DRAWN:	
PAGE SIZE:	A3
SCALE:	1 : 20
DRAWING No:	7622 001