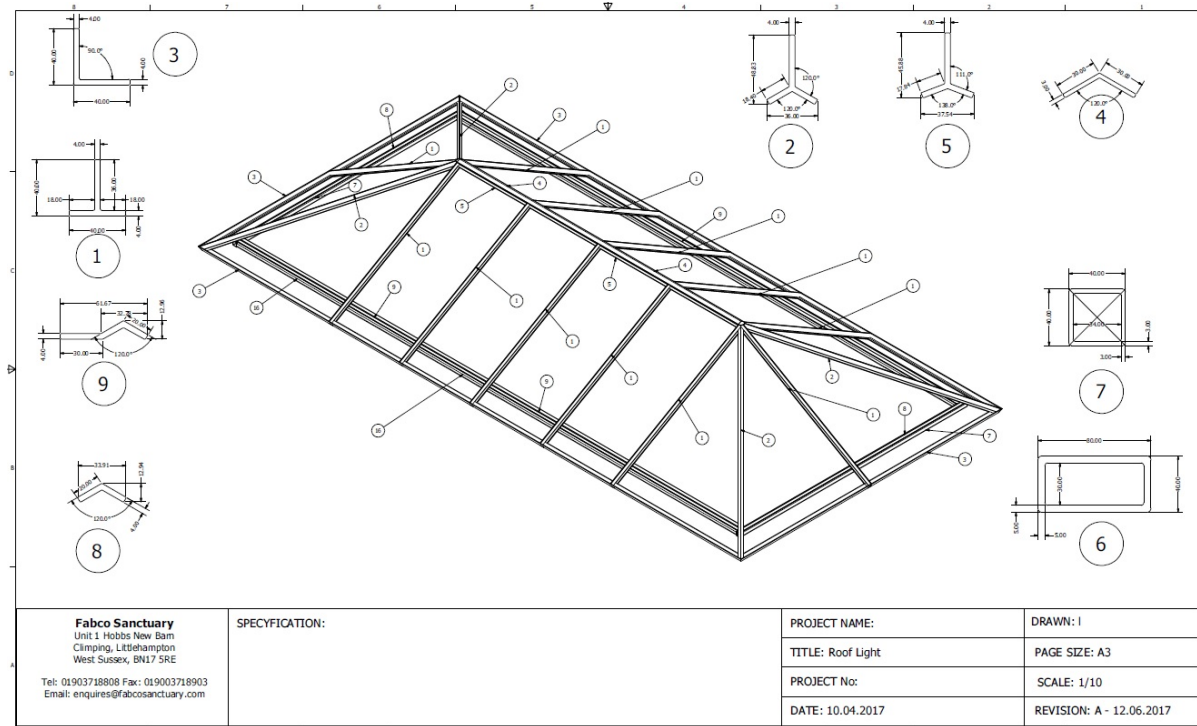


Styles and Options

A typical Edwardian design...



By incorporating W20 steel sections with other steel members we can offer significant design flexibility, we can include openers (via manual or electric actuators), glazed upstands and many differed glazing options.

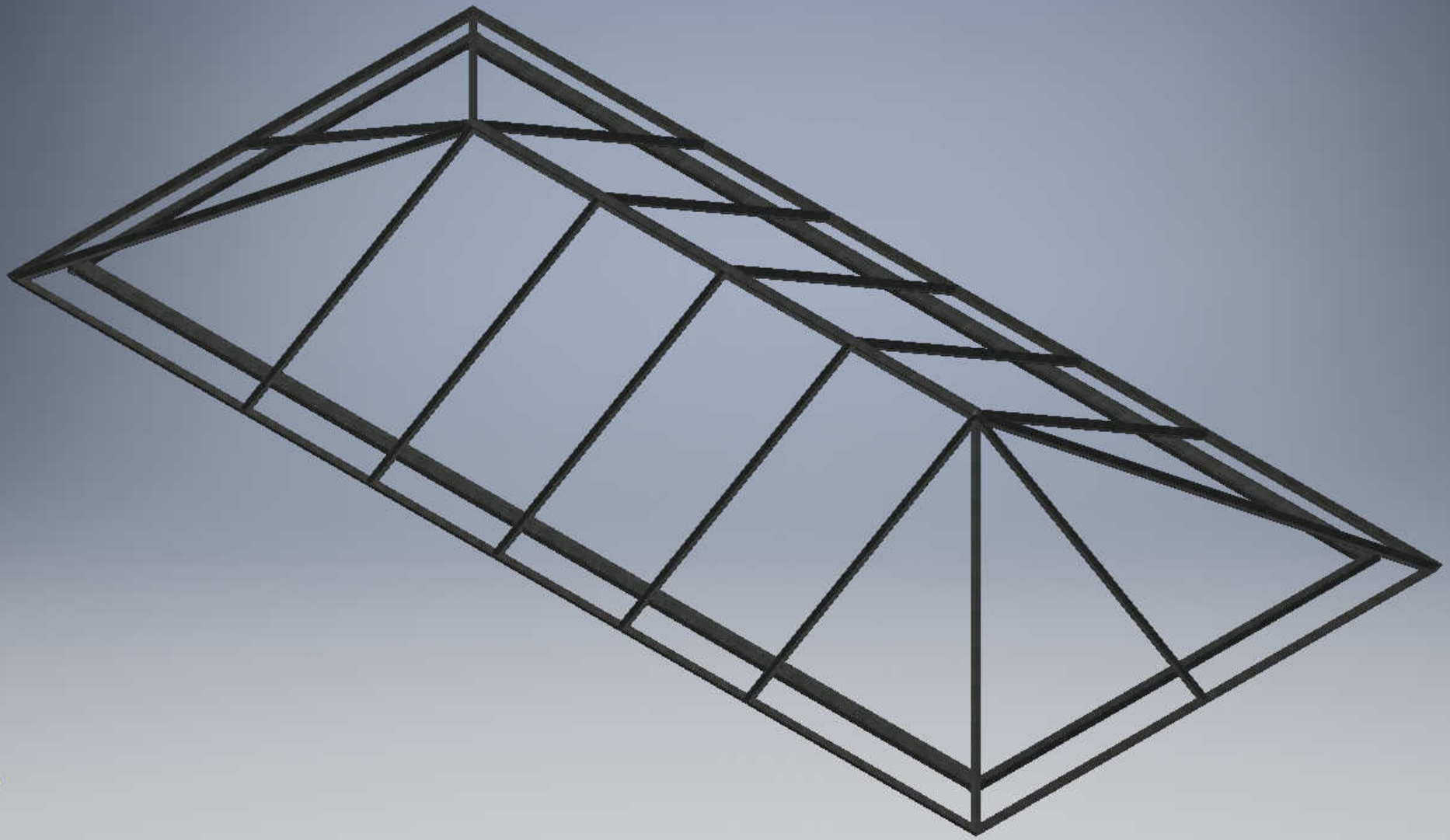
Typical design styles range from simple lean-to and apex designs to more complex Edwardian, Victorian and pyramid style lanterns, and like all our other products there's over 100 different RAL colours to choose from.

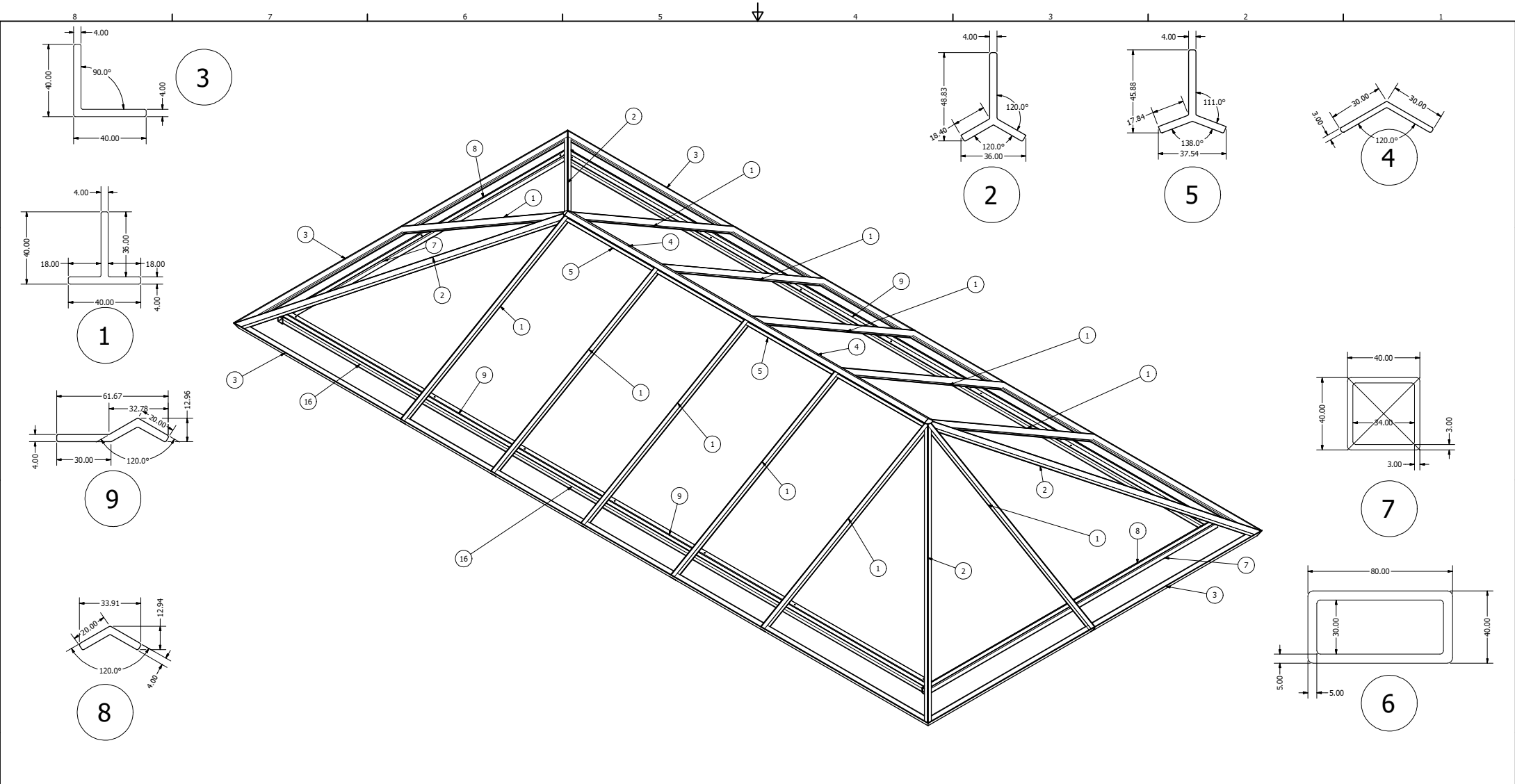
Glazing Options

Typical Specification of glazing is as follows...

Double Glazed Unit	Outer Leaf	Toughened + Heatsoaked Glass
	Cavity	Depending on requirements and design.
	Inner Leaf	Laminated Toughened HST

Additional design considerations will include whether you would like to have Tinted and/or Self-Cleaning Glass, UV Protection films and Acoustic Glazing.





Fabco Sanctuary
 Unit 1 Hobbs New Barn
 Climping, Littlehampton
 West Sussex, BN17 5RE

Tel: 01903718808 Fax: 019003718903
 Email: enquires@fabcosanctuary.com

SPECYFICATION:
 30mm Multilayer Glass.

PROJECT NAME:

TITLE: Roof Light

PROJECT No:

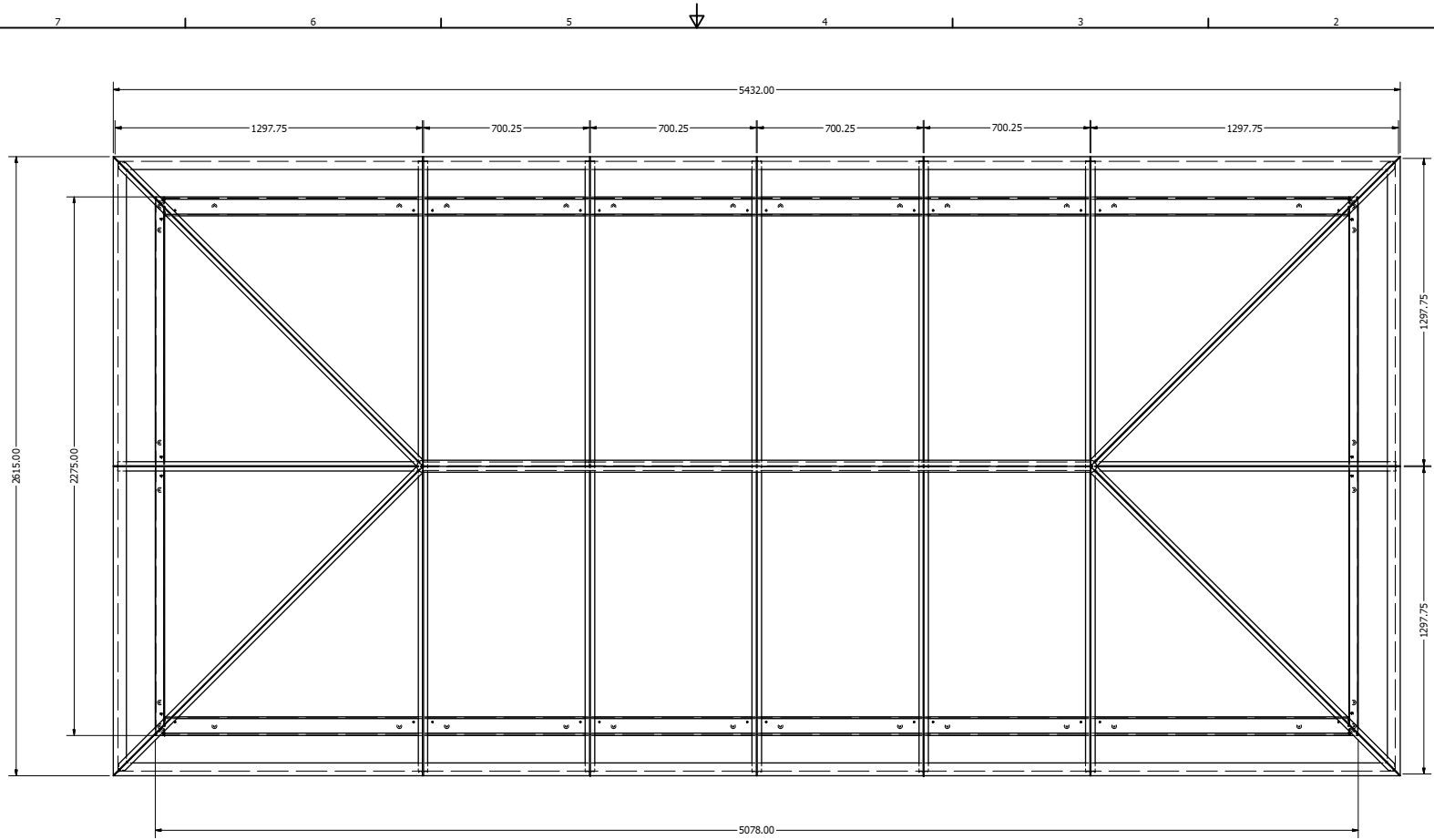
DATE: 14.06.2017

DRAWN:

PAGE SIZE: A3

SCALE: 1/10

PAGE: 1/5



VIEWED FROM TOP.
SCALE: 1/10

Fabco Sanctuary

Unit 1 Hobbs New Barn
Climping, Littlehampton
West Sussex, BN17 5RE

Tel: 01903718808 Fax: 019003718903
Email: enquires@fabcosanctuary.com

SPECYFICATION:
30mm Multilayer Glass.

PROJECT NAME:

DRAWN:

PROJECT No:

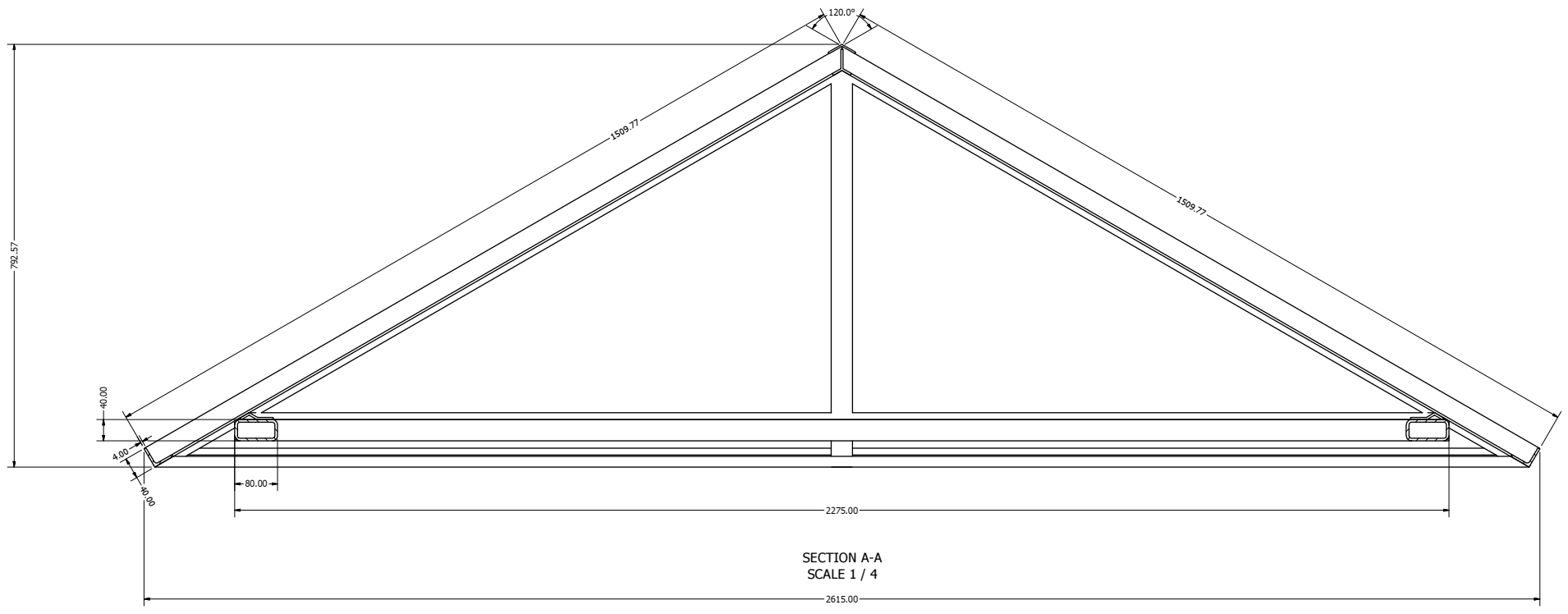
PAGE SIZE: A3

TITLE: Roof Light

SCALE: 1/10

DATE: 14.06.2017

PAGE: 2/5



SECTION A-A
SCALE 1 / 4

2615.00

2275.00

80.00

40.00

792.57

1509.77

1509.77

120.0°

4.00

40.00

Fabco Sanctuary
Unit 1 Hobbs New Barn
Climping, Littlehampton
West Sussex, BN17 5RE

Tel: 01903718808 Fax: 019003718903
Email: enquires@fabcosanctuary.com

SPECYFICATION:
30mm Multilayer Glass.

PROJECT NAME:

DRAWN:

PROJECT No:

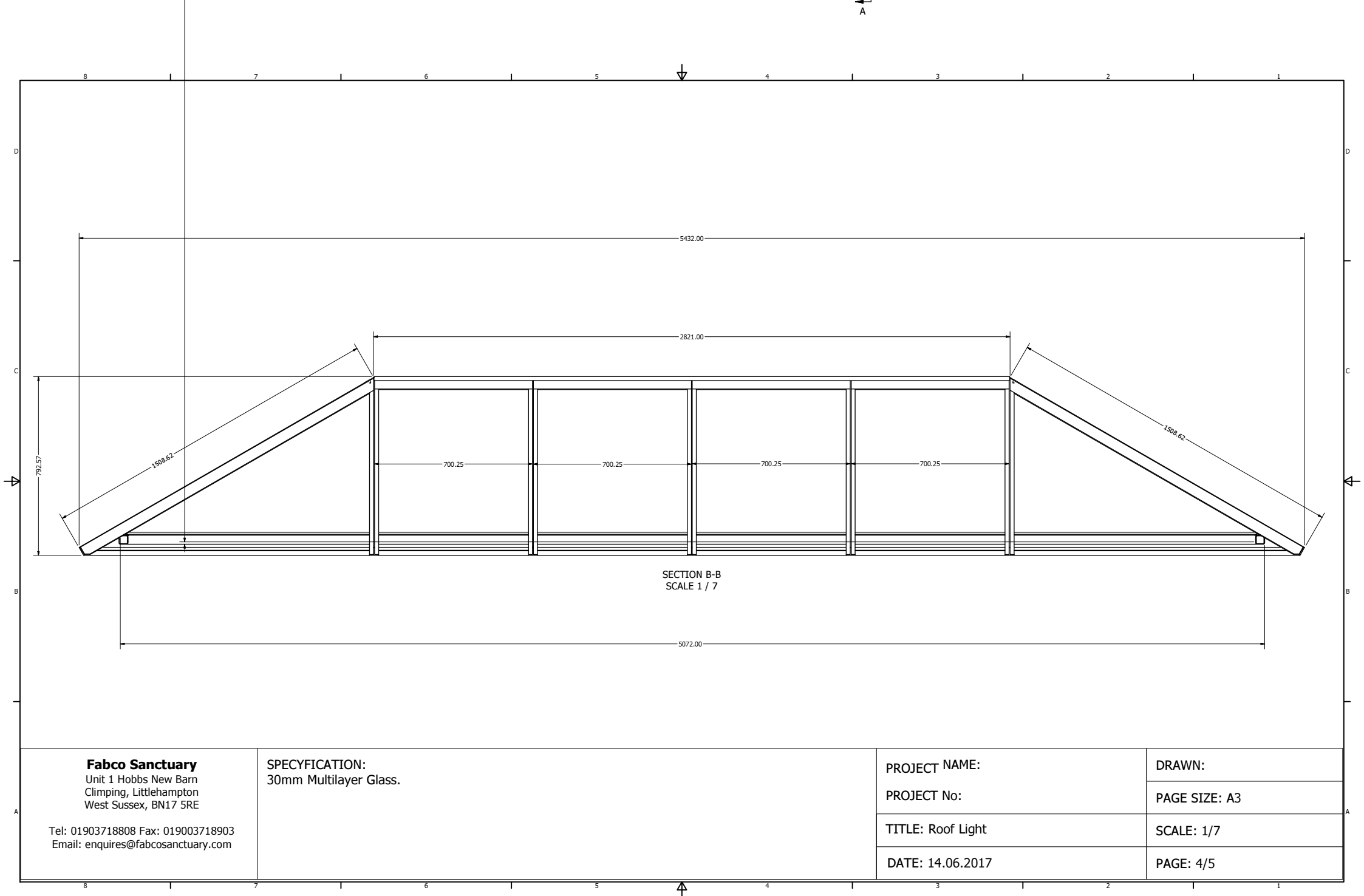
PAGE SIZE: A3

TITLE: Roof Light

SCALE: 1/4

DATE: 14.06.2017

PAGE: 3/5



SECTION B-B
SCALE 1 / 7

Fabco Sanctuary

Unit 1 Hobbs New Barn
Climping, Littlehampton
West Sussex, BN17 5RE

Tel: 01903718808 Fax: 019003718903
Email: enquires@fabcosanctuary.com

SPECYFICATION:

30mm Multilayer Glass.

PROJECT NAME:

PROJECT No:

TITLE: Roof Light

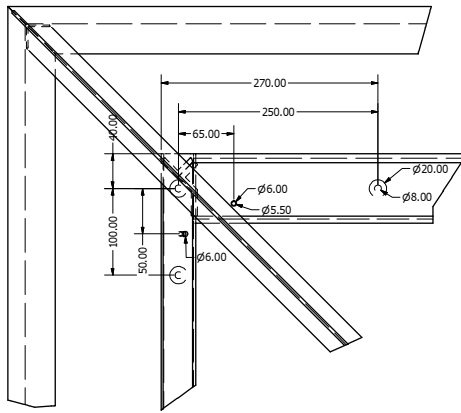
DATE: 14.06.2017

DRAWN:

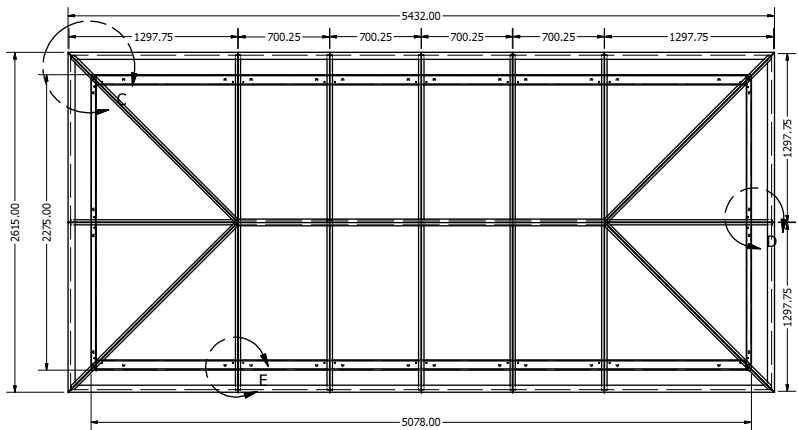
PAGE SIZE: A3

SCALE: 1/7

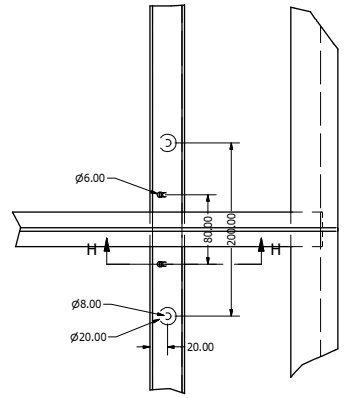
PAGE: 4/5



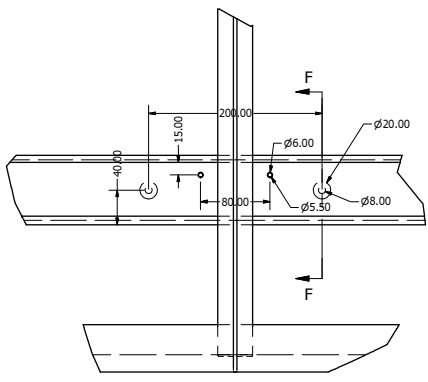
DETAIL C
SCALE 1 / 3



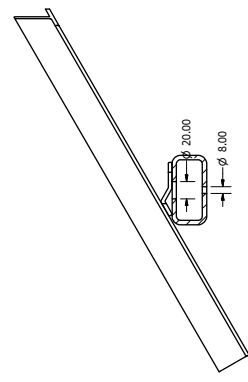
VIEWED FROM TOP.
SCALE: 1/20



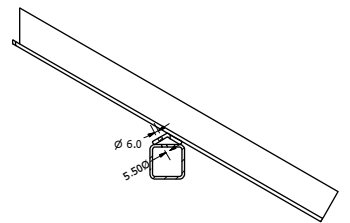
DETAIL D
SCALE 1 / 3



DETAIL E
SCALE 1 / 3



SECTION F-F
SCALE 1 / 3



SECTION H-H
SCALE 1 / 3

Fabco Sanctuary
Unit 1 Hobbs New Barn
Climping, Littlehampton
West Sussex, BN17 5RE

Tel: 01903718808 Fax: 019003718903
Email: enquires@fabcosanctuary.com

SPECYFICATION:
30mm Multilayer Glass.

PROJECT NAME:

PROJECT No:

TITLE: Roof Light

DATE: 14.06.2017

DRAWN:

PAGE SIZE: A3

SCALE: 1/20 & 1/3

PAGE: 5/5