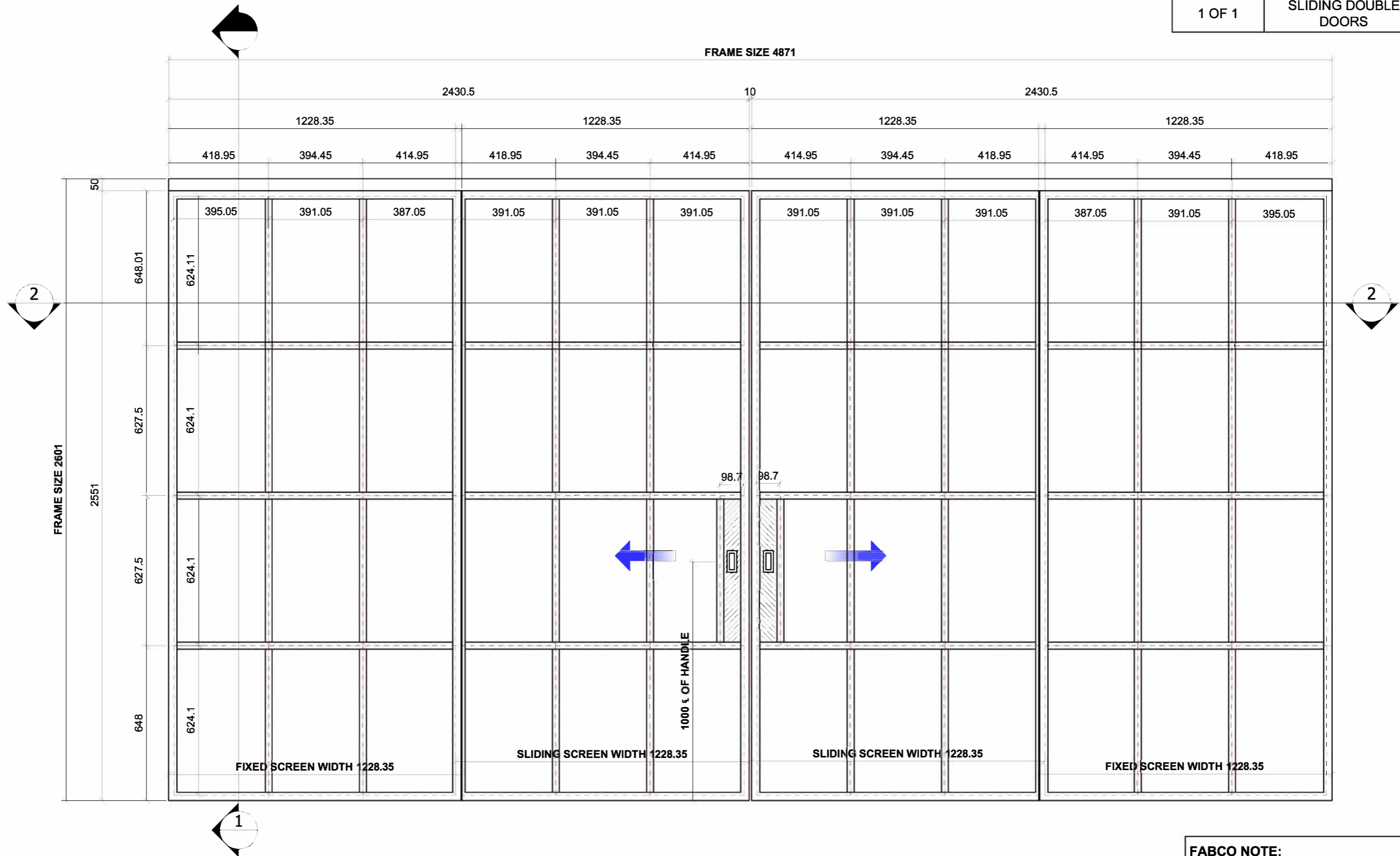


ELEVATION (№)	PRODUCT DESCRIPTION	QUANTITY
1 OF 1	SLIDING DOUBLE DOORS	1



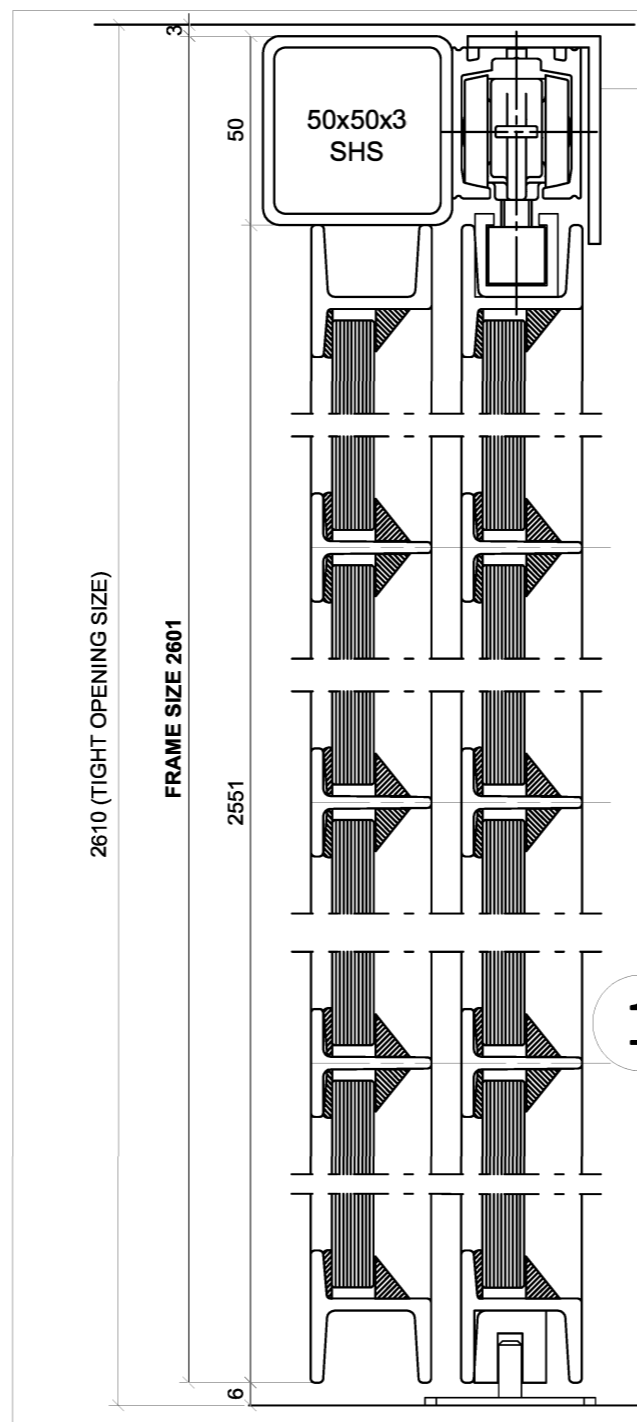
FABCO NOTE:
 FLUSH PULLS TO BE SENT OFF FOR POWDER COATING IN ONE GO WITH THE FRAMES.
 FIXING HOLES TO BE MADE WHERE REQUIRED.

Fabco Sanctuary
 Unit 1 Hobbs New Barn
 Climping, Littlehampton
 West Sussex, BN17 5RE
 Tel: 01903 718808 Fax: 01903 718903
 Email: enquiries@fabcosanctuary.com

SPECIFICATION:
 RAL COLOUR - 7021 BLACK GREY.
 4№ ALLART 2713A FLUSH PULLS WITH CONCEALED FIXINGS - POWDER COATED TO MATCH THE FRAME.
 2№ SELO ENIGMA SLIDING TRACKS SECTION WITH 2№ ES03 SOFT CLOSE & OPEN.
 2№ SG02 SLIDING GEAR SET.
 10.8 mm ACOUSTIC LAMINATED SGU, GLAZED WITH SILICONE.
 SUPPLY & INSTALL.

PROJECT NAME :	DATE: 18/05/2016
PROJECT No: 7898	DRAWN:
TITLE: SLIDING DOUBLE DOORS	PAGE SIZE: A3
REVISION: A 24/05/2016 B 25/05/2016	SCALE: 1:16
	DRAWING No: 7898-1

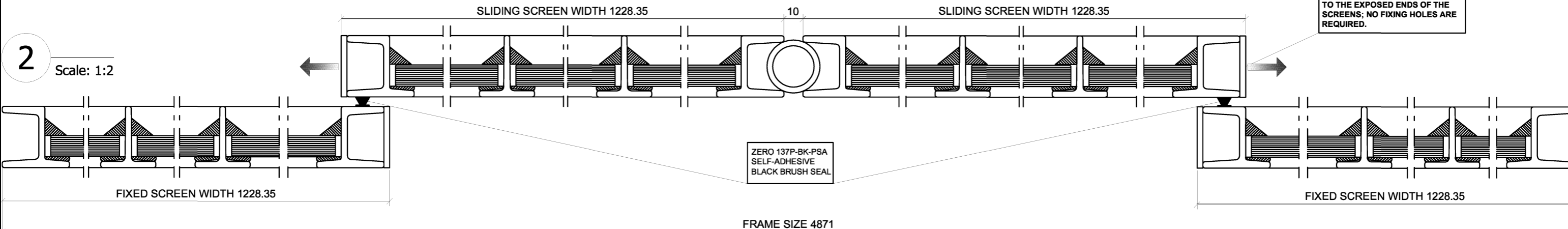
ELEVATION (№)	PRODUCT DESCRIPTION	QUANTITY
1 OF 1	SLIDING DOUBLE DOORS	1



FABCO NOTE:
SLIDING TRACK COVERED WITH STEEL PLATE
POWDER COATED TO MATCH THE FRAME.

1 Scale: 1:2

2 Scale: 1:2



FABCO NOTE:
STEEL FLAT (32x4 mm) TO WELDED
TO THE EXPOSED ENDS OF THE
SCREENS; NO FIXING HOLES ARE
REQUIRED.

Fabco Sanctuary
Unit 1 Hobbs New Barn
Climping, Littlehampton
West Sussex, BN17 5RE
Tel: 01903 718808 Fax: 01903 718903
Email: enquiries@fabcosanctuary.com

SPECIFICATION:
RAL COLOUR - 7021 BLACK GREY.
4№ ALLART 2713A FLUSH PULLS WITH CONCEALED FIXINGS - POWDER COATED TO MATCH THE FRAME.
2№ SELO ENIGMA SLIDING TRACKS SECTION WITH 2№ ES03 SOFT CLOSE & OPEN.
2№ SG02 SLIDING GEAR SET.
10.8 mm ACOUSTIC LAMINATED SGU, GLAZED WITH SILICONE.
SUPPLY & INSTALL.

PROJECT NAME :
PROJECT No : **7898**
TITLE : **SLIDING DOUBLE DOORS**
REVISION: A 25/05/2016 B 25/05/2016

DATE: 18/05/2016
DRAWN:
PAGE SIZE: A3
SCALE: 1:2
DRAWING No: **7898-1.1**