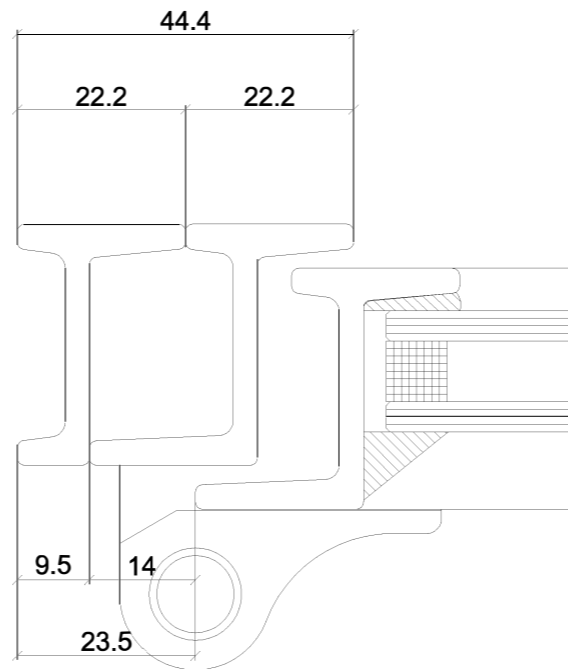
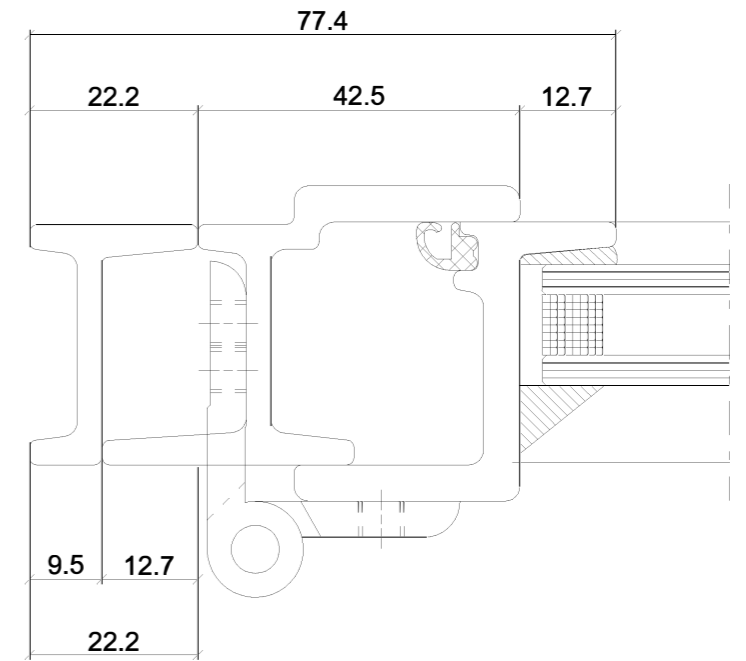


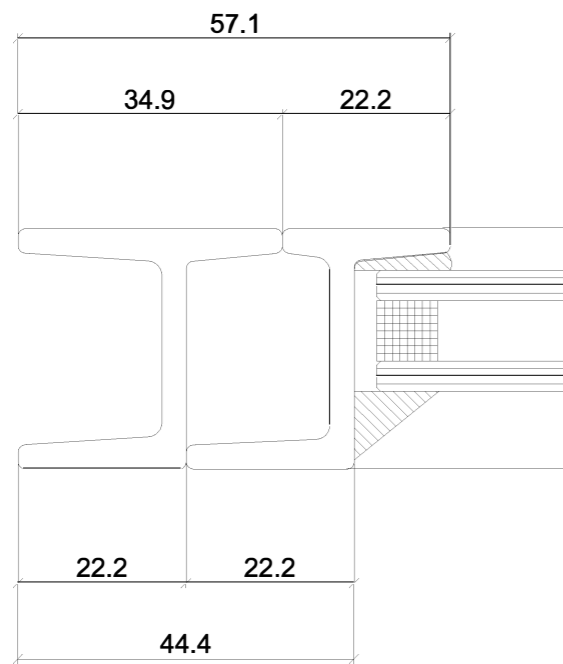
W7 FILLET TO FIXED LIGHT.



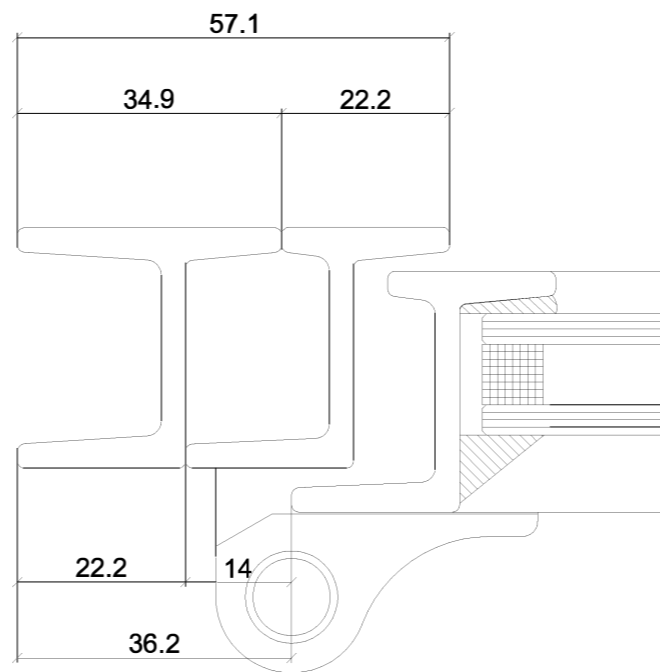
W7 FILLET TO OPENING VENT.



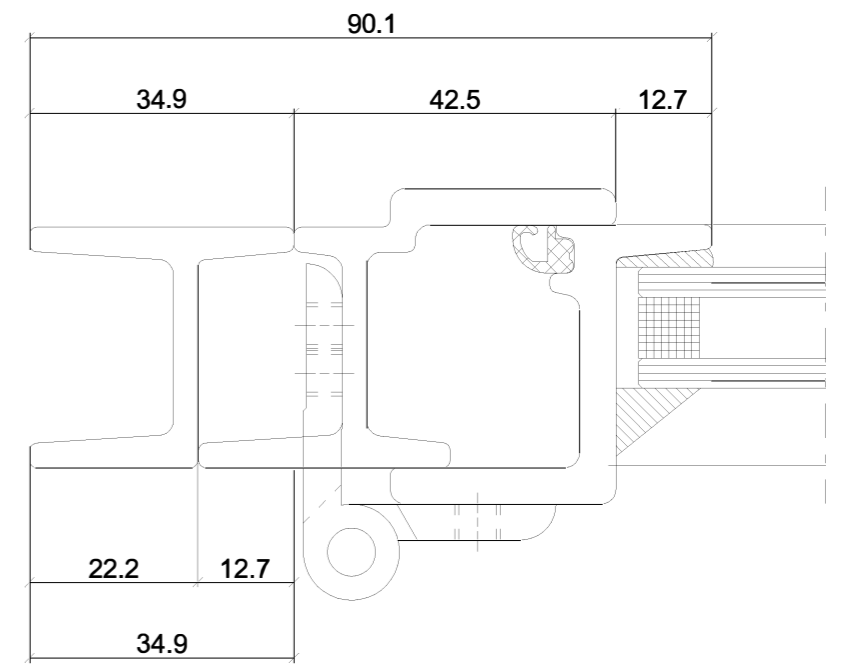
W7 FILLET TO DOOR.



W9 FILLET TO FIXED LIGHT.



W9 FILLET TO OPENING VENT.



W9 FILLET TO DOOR.

**Fabco Sanctuary**

Unit 1 Hobbs New Barn  
 Climping, Littlehampton  
 West Sussex, BN17 5RE

Tel: 01903 718808 Fax: 01903 718903  
 Email: enquiries@fabcosanctuary.com

SPECIFICATION:

PROJECT NAME : XXXX

PROJECT No : XXXX

TITLE : FILLET SECTIONS

REVISION:

DATE: 29 MARCH 2016

DRAWN:

PAGE SIZE: A3

SCALE: 1:1

DRAWING No: XXXX-1