

NOTE: WALLS/CEILINGS MUST HAVE SOMETHING IN TO FIX TO

Fabco Sanctuary

Unit 1 Hobbs New Barn
Clipping, Littlehampton
West Sussex, BN17 5RE

Tel: 01903 718808 Fax: 01903 718903
Email: enquires@fabcosanctuary.com

SPECIFICATION:
RAL 9017 TRAFFIC BLACK.
CENTRELINE OF HANDLE APPROX. 1000mm FROM BOTTOM OF FRAME.
2No. ALLART 1087 FLUSH RING HANDLE - POWDER COATED TO RAL 9017.
ROLLERBALL LOCK.
STEEL BUTT HINGES.
7.2mm CLEAR PYROGUARD FIRE GLASS, GLAZED WITH STEEL SNAP ON BEAD, STEEL BEAD STUDS,
BLACK FIRE GLAZING TAPE & CAPPED WITH BLACK FIRE RETARDANT SILICONE.
SUPPLY & INSTALL.

PROJECT NAME :

DATE: 14 March 2017

PROJECT No. :

DRAWN: Mateusz Lesiczka

TITLE :

VIEWED FROM OUTSIDE

PAGE SIZE:A3

SCALE: 1:16 / 1:4

REVISION: A

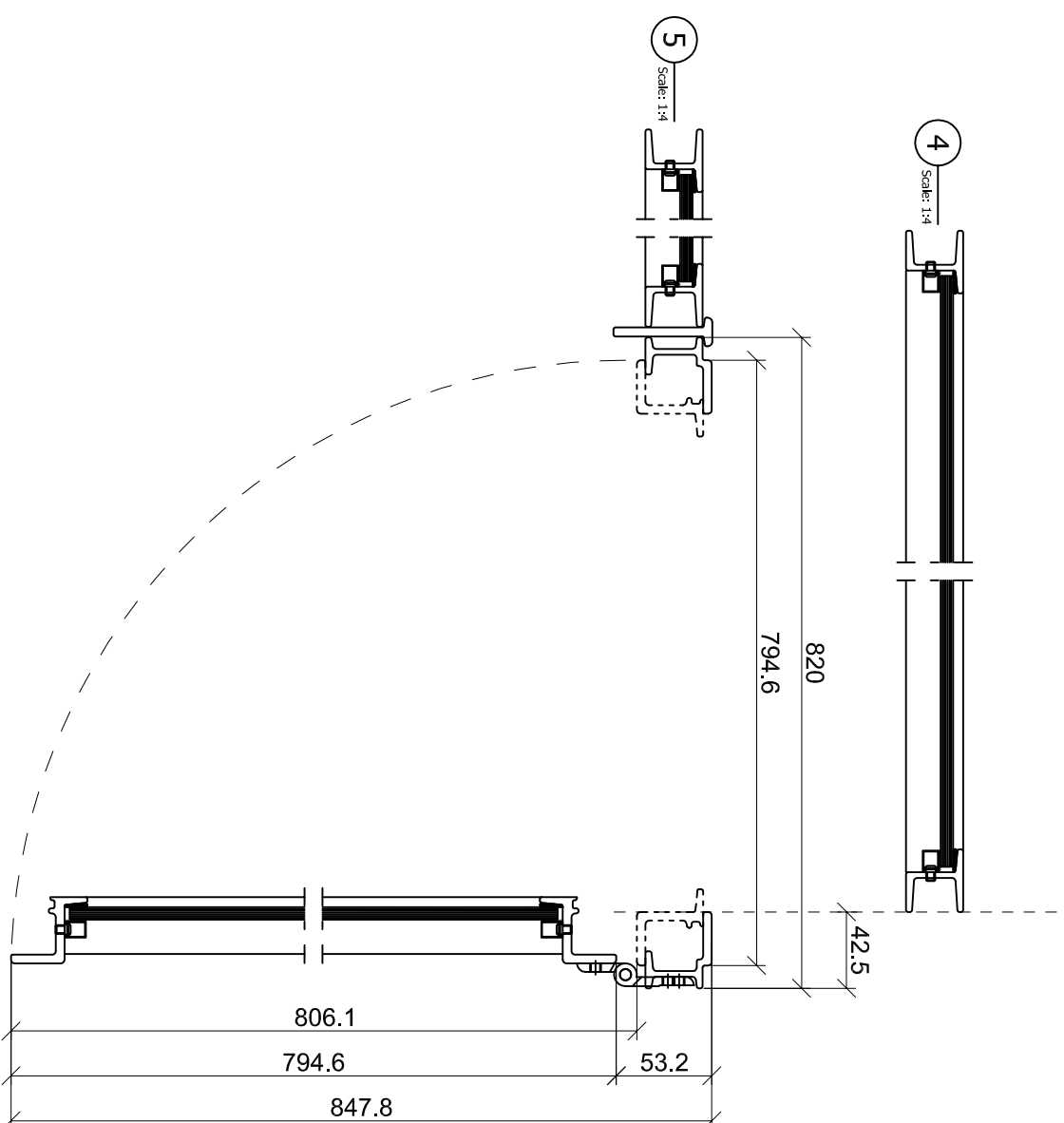
31/03/17

B

7/04/17

DRAWING No:

8810-1



Fabco Sanctuary
 Unit 1 Hobbs New Barn
 Climping, Littlehampton
 West Sussex, BN17 5RE
 Tel: 01903 718808 Fax: 01903 718903
 Email: enquiries@fabcosanctuary.com

SPECIFICATION:
 RAL 9017 TRAFFIC BLACK.
 CENTRELINE OF HANDLE APPROX. 1000mm FROM BOTTOM OF FRAME.
 2No. ALLART 1087 FLUSH RING HANDLE - POWDER COATED TO RAL 9017.
 ROLLERBALL LOCK.
 STEEL BUTT HINGES.
 7.2mm CLEAR PYROGUARD FIRE GLASS, GLAZED WITH STEEL SNAP ON BEAD, STEEL BEAD STUDS,
 BLACK FIRE GLAZING TAPE & CAPPED WITH BLACK FIRE RETARDANT SILICONE.
 SUPPLY & INSTALL.

PROJECT NAME :		DATE:	14 March 2017
PROJECT No. :		DRAWN:	Mateusz Lesiczka
TITLE :		PAGE SIZE:	A3
REVISION: A		SCALE:	1:4
31/03/17		DRAWING No.:	8810-1-1
B			
7/04/17			