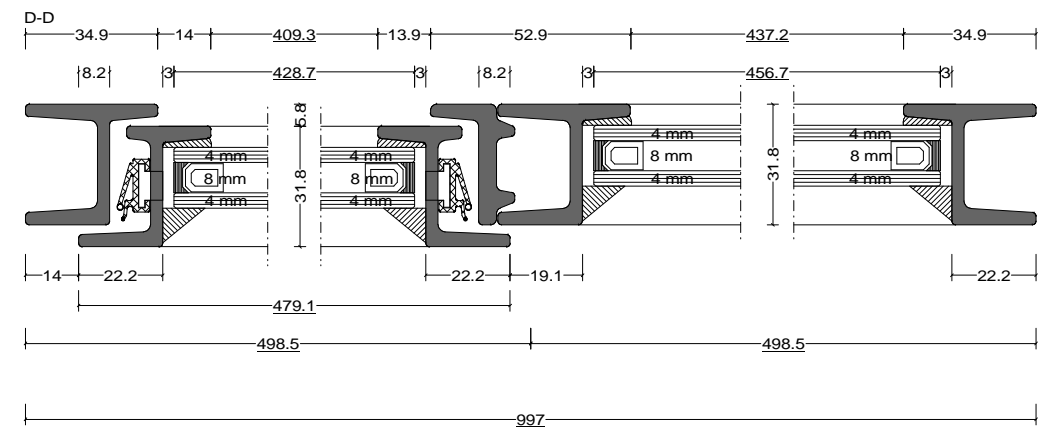
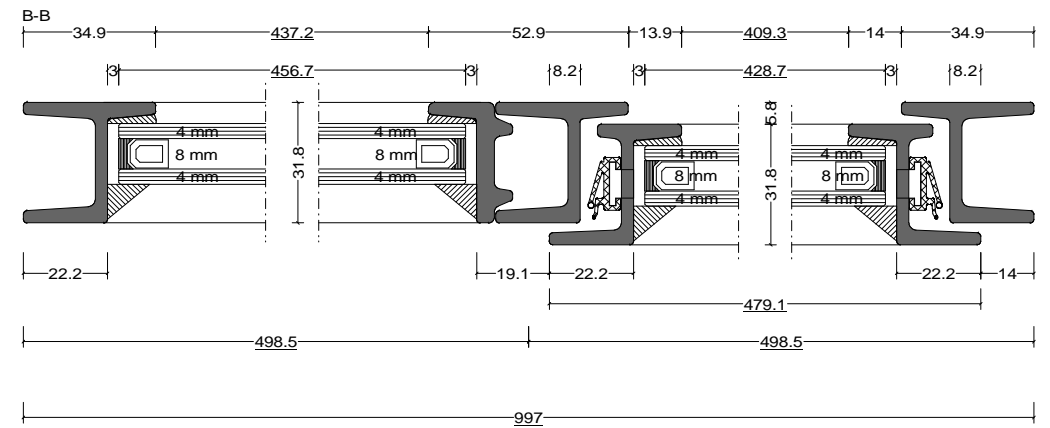
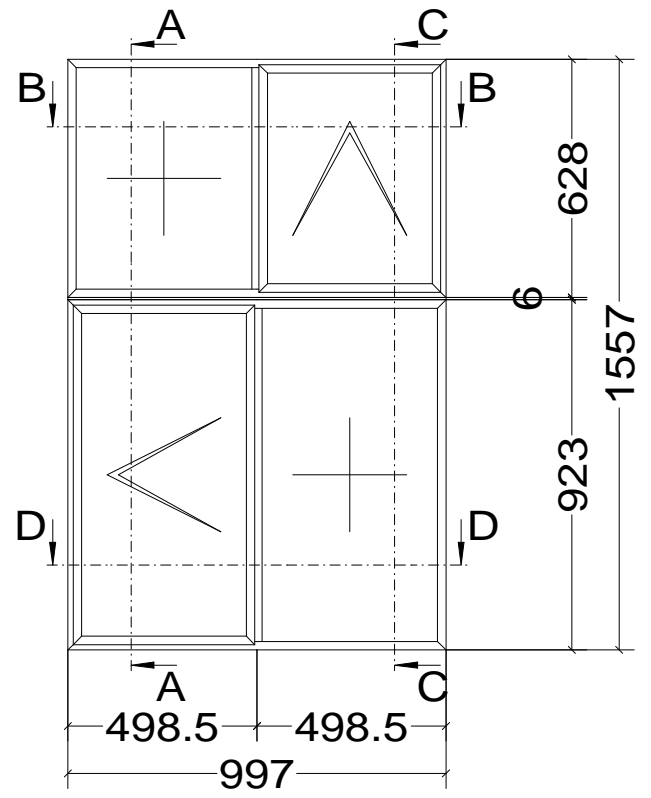
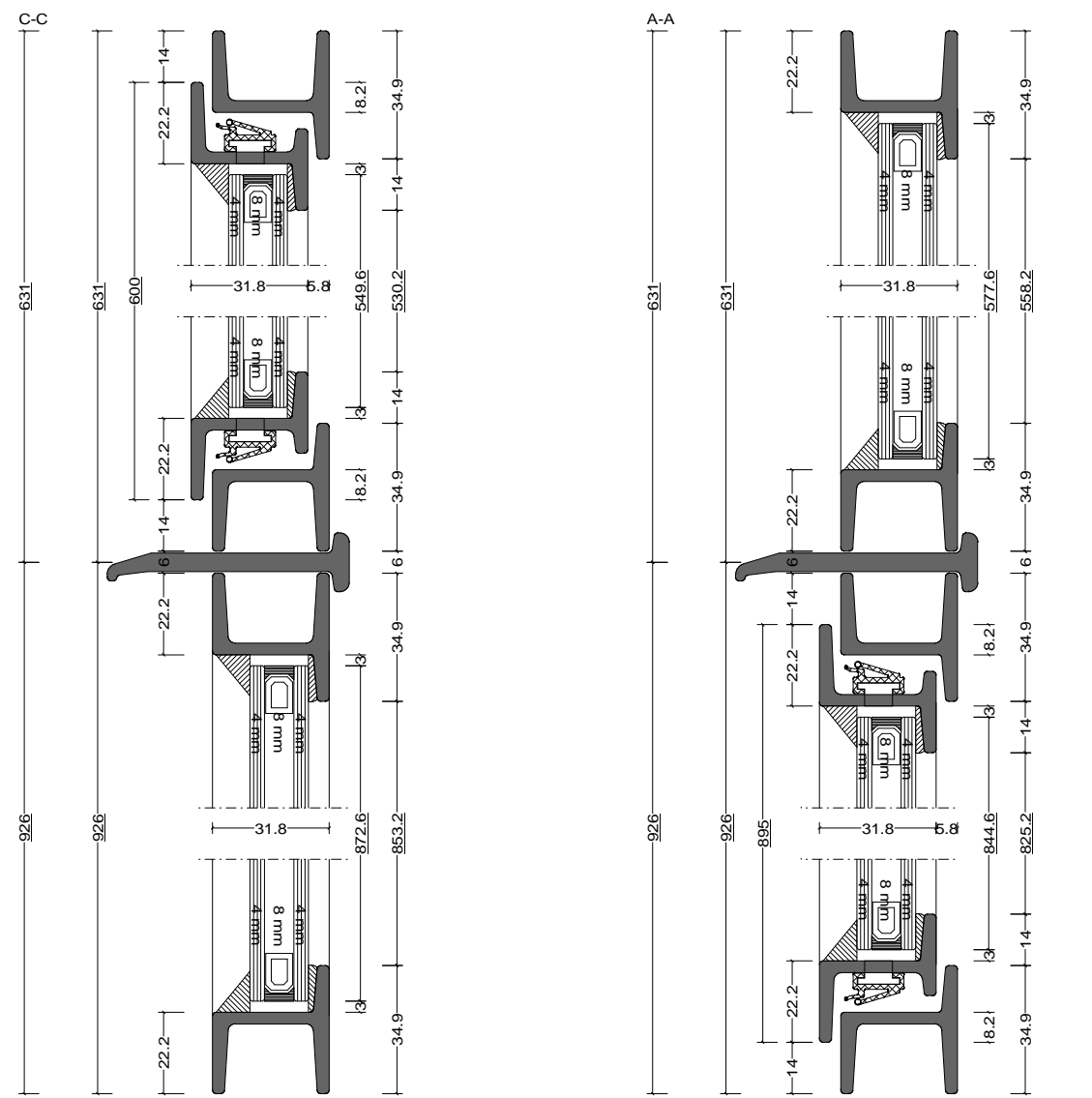
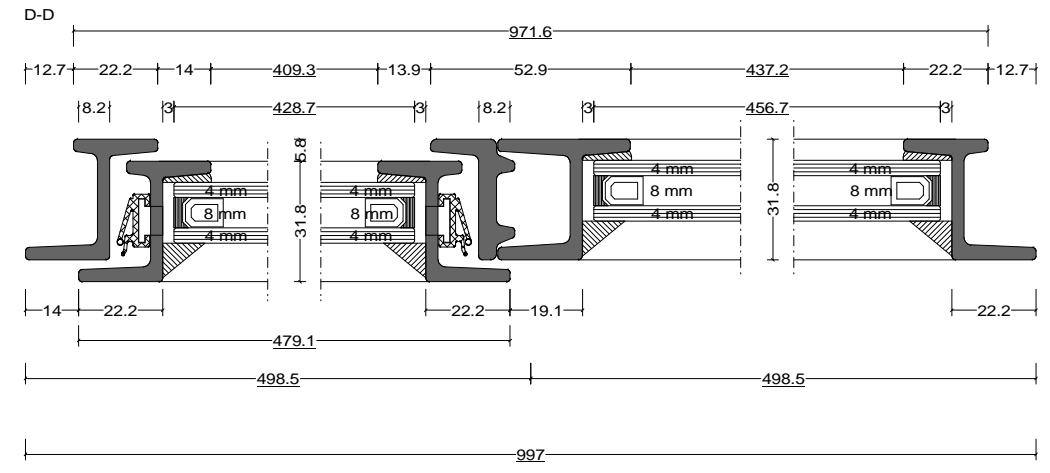
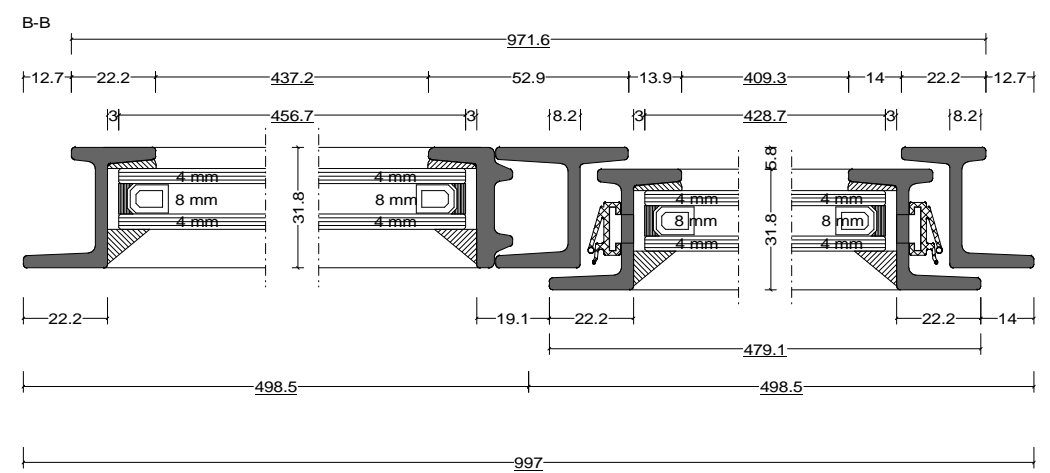
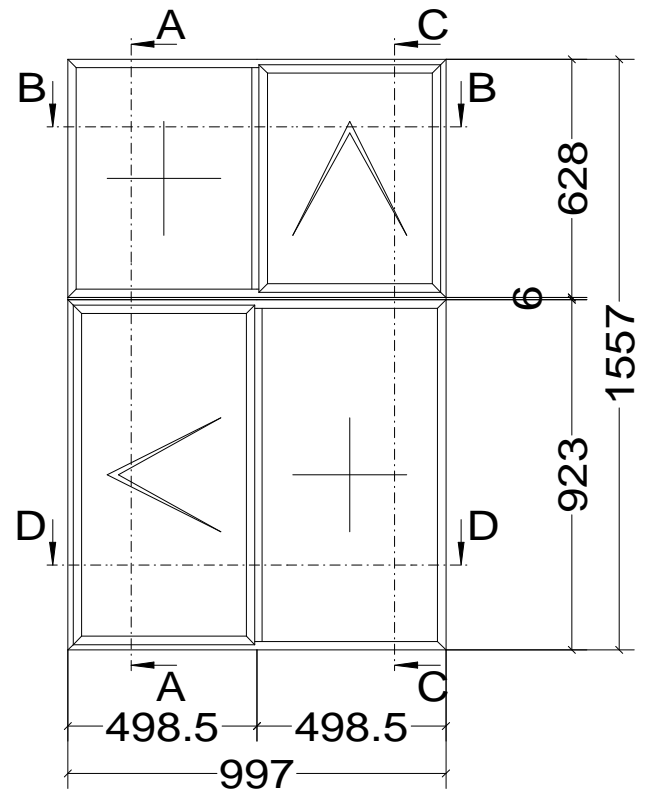
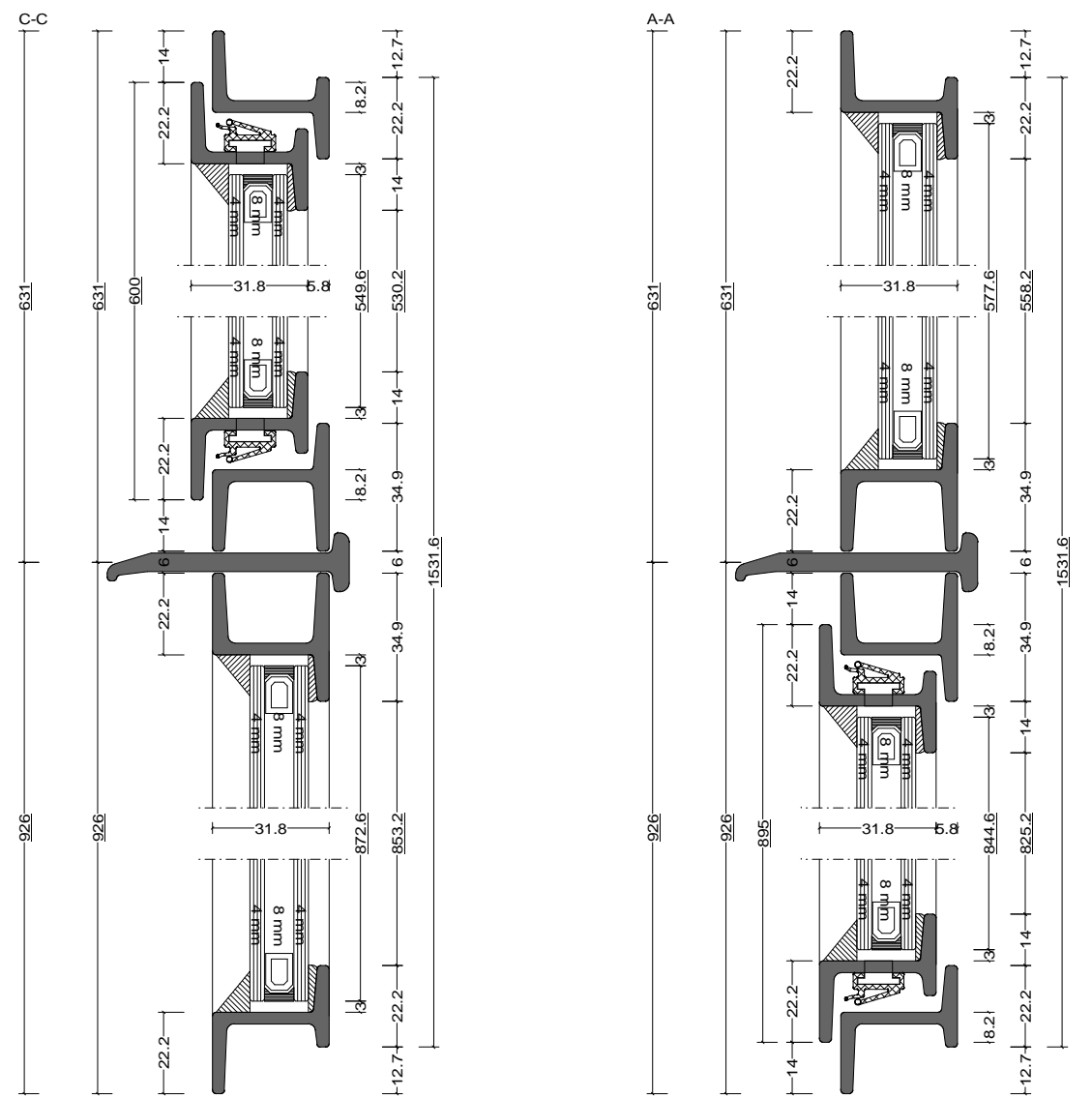


Pos. 006, Quantity: 1
 Finish: RAL
 Job: W20 Sameple Drawings



	Date	Name	W20 Sameple Drawings	Fabco Sanctuary Ltd Unit 1, Hobbs New Barn Climping, West Sussex Littlehampton, BN17 5TF BN17 5TF Tel: 01903 718808 Fax: 01903 724376		
Drawn	25.10.2017				Even Leg	Drawing No.:
Checked						
Normchkd.						
Scale	1 : 2.0					
View	1 : 19.9					

Pos. 007, Quantity: 1
 Finish: RAL
 Job: W20 Sameple Drawings



Drawn	Date	Name	W20 Sameple Drawings	Fabco Sanctuary Ltd Unit 1, Hobbs New Barn Climping, West Sussex Littlehampton, BN17 5TF BN17 5TF Tel: 01903 718808 Fax: 01903 724376		
Checked						Drawing No.:
Normchkd.						
Scale	1 : 2.0		Odd Leg			
View	1 : 19.9					