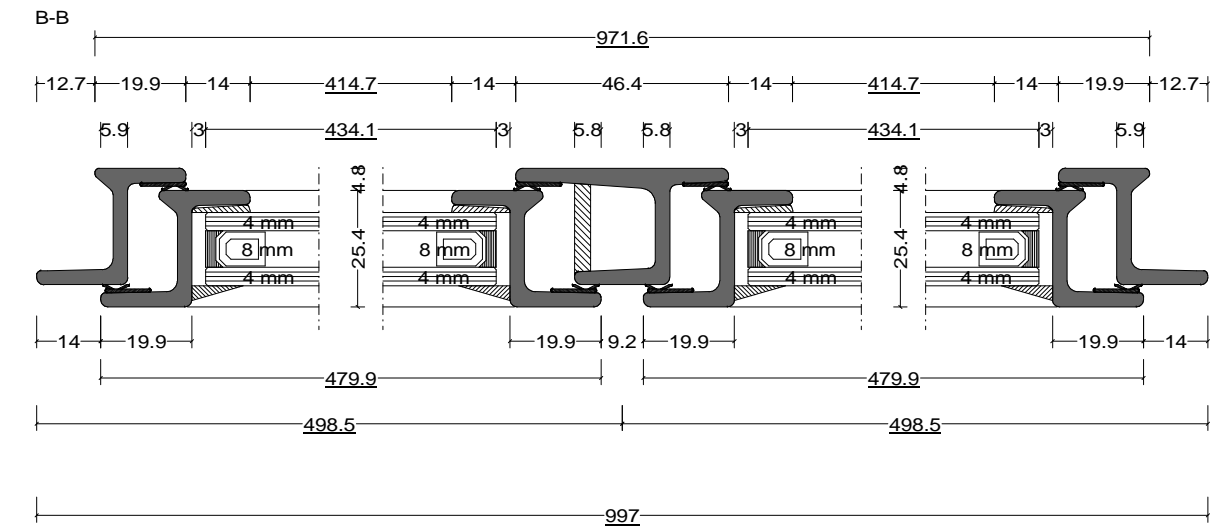
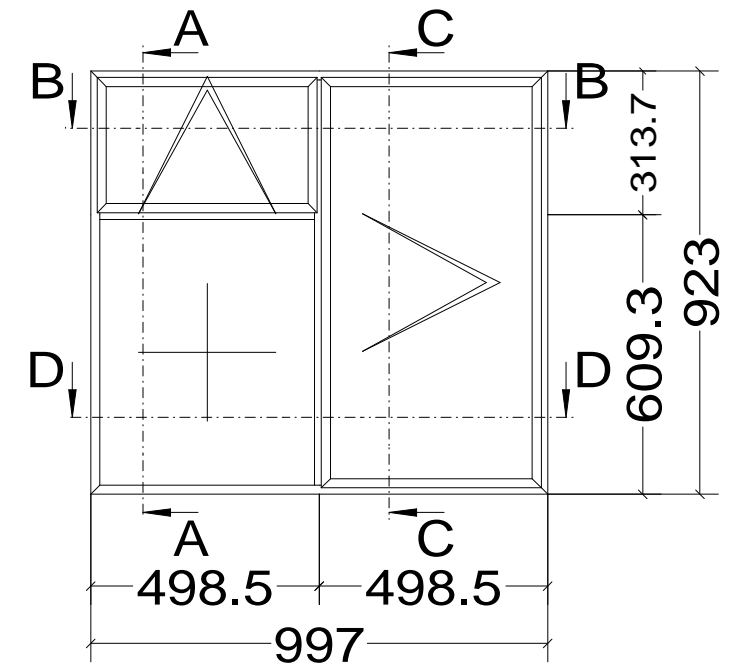
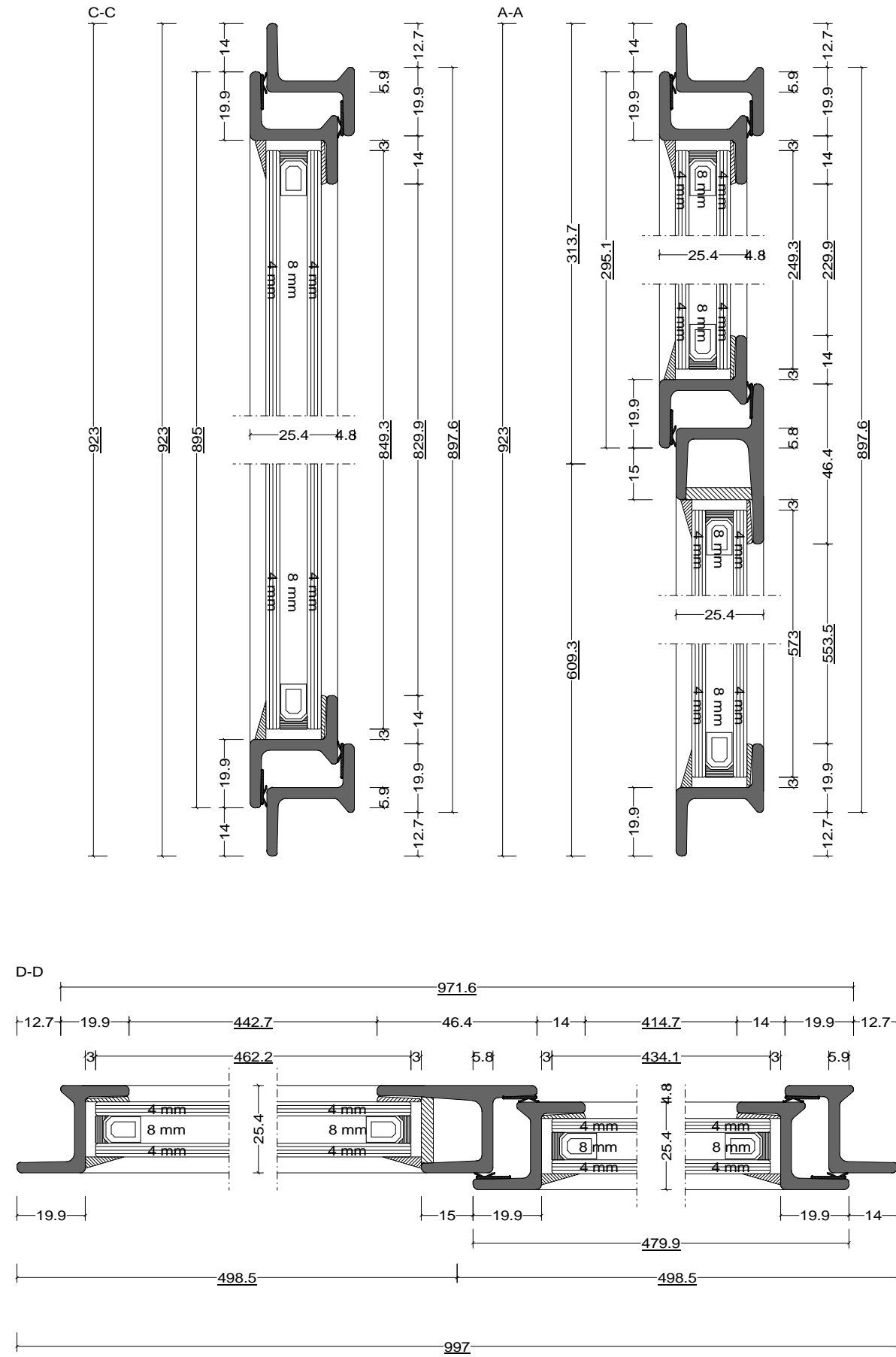


Pos. 001, Quantity: 1  
 Finish: RAL  
 Job: SMW Multi-Light



Date	Name	SMW Multi-Light	<b>Fabco Sanctuary Ltd</b> Unit 1, Hobbs New Barn Climping, West Sussex Littlehampton, BN17 5TF BN17 5TF Tel: 01903 718808 Fax: 01903 724376
03.10.2017			
Scale	1 : 1.6		Drawing No.:
View	1 : 16.5		