

SMW Steel Window Measurement and Fixing Documents

Index

SMW Rebate Details

Page 3

Glazing Details

Page 4

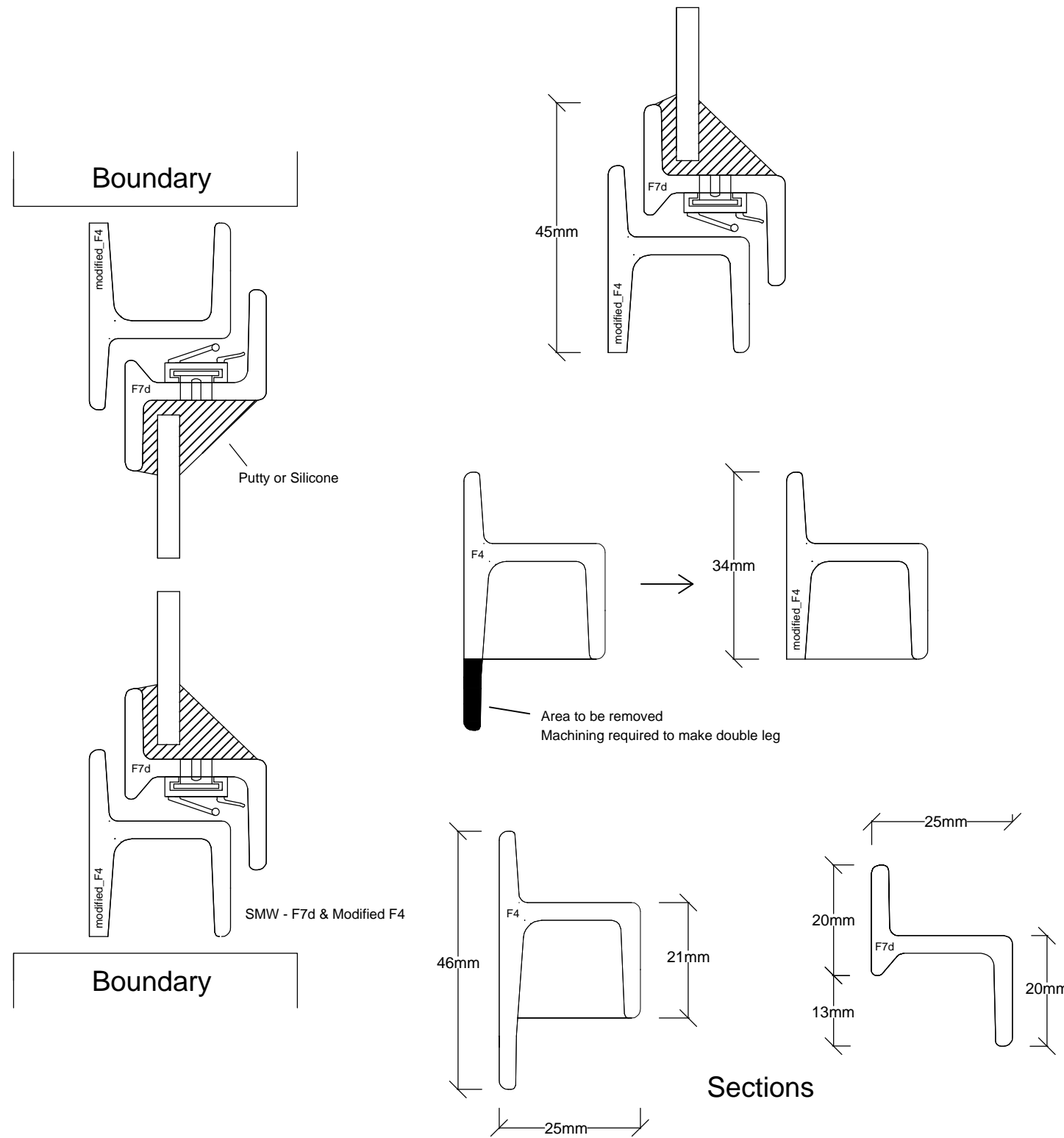
Hinge Projections

Page 5

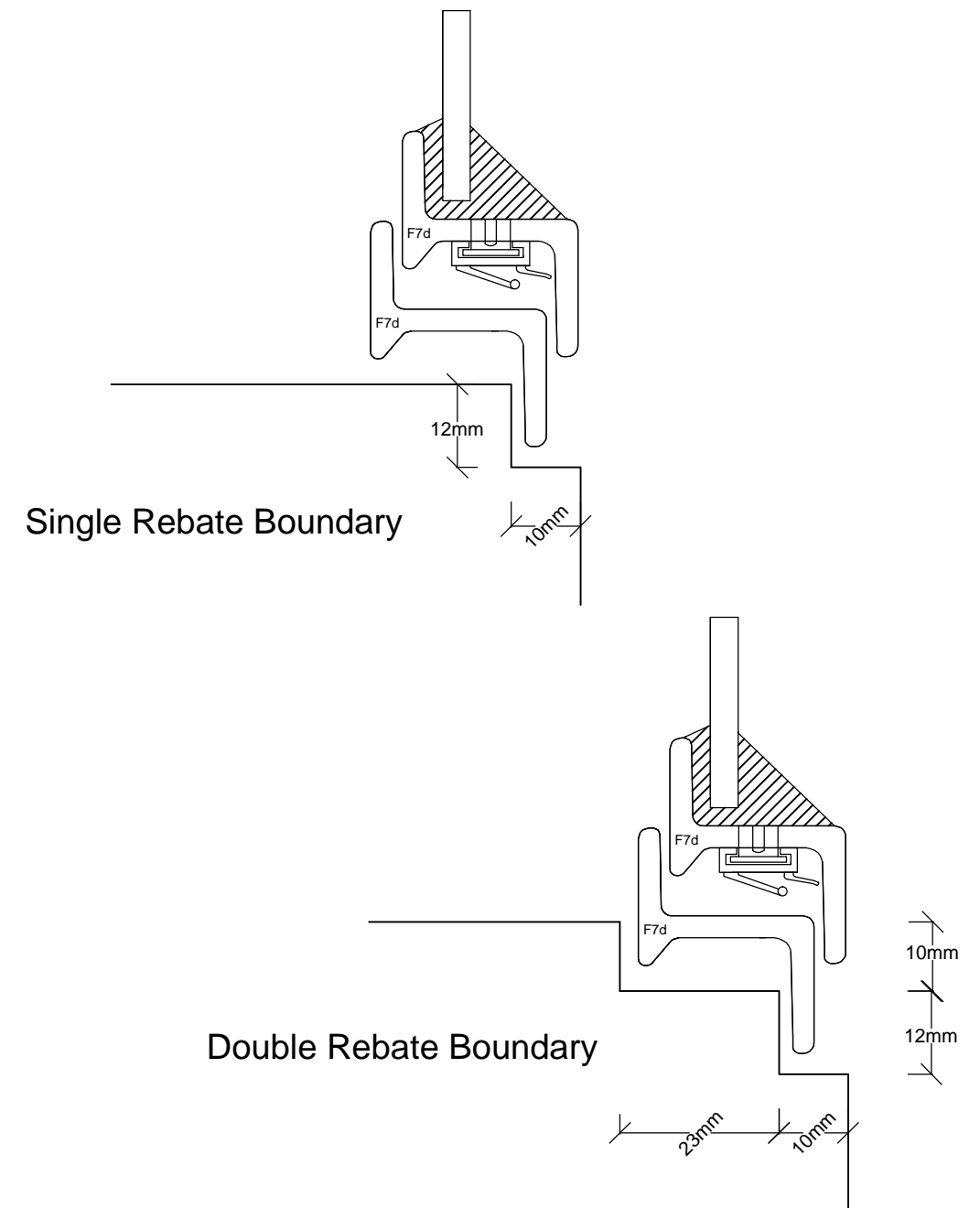
SMW Rebate Details

Single Glazed Example

Even Leg Boundary



Odd Leg Boundary



Fabco Sanctuary

Unit 1 Hobbs New Barn
Climping, Littlehampton
West Sussex, BN17 5RE

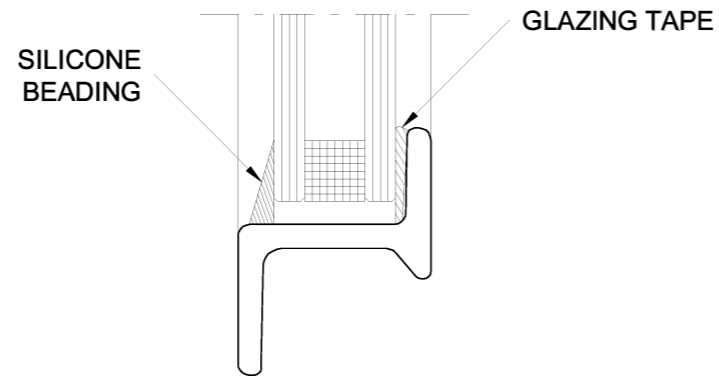
Tel: 01903 718808 Fax: 01903 718903

PROJECT :
SMW Rebate Details

TITLE :

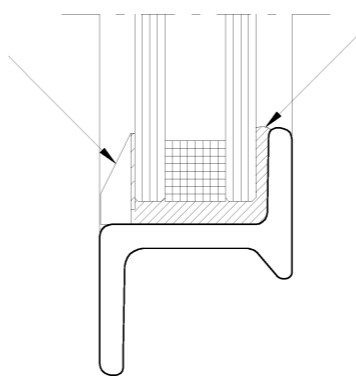
REVISED:

DSGN:	XXX	DATE:	16/03/2011	
DWN:	JWB	SCALE:	1 : 1	
CHKD:	XXX	Page Size:	A3	
1	1	DRAWING:		
SHEET	OF			



SILICONE BEADING.

ALUMINIUM BEADING
APPLIED TO GLASS
WITH DOUBLE SIDED
GLAZING TAPE.



ALUMINIUM BEADING.

Fabco Sanctuary

Unit 1 Hobbs New Barn
Climping, Littlehampton
West Sussex, BN17 5RE

Tel: 01903 718808 Fax: 01903 718903
Email: enquiries@fabcosanctuary.com

SPECIFICATION:

PROJECT NAME :

PROJECT No :

TITLE :

GLAZING DETAILS (SMW)

REVISION:

DATE: 04 OCTOBER 2017

DRAWN:

PAGE SIZE: A3

SCALE: 1:1

DRAWING No:

